

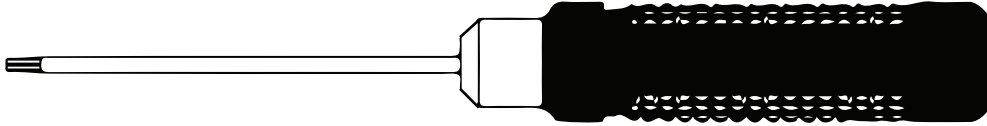


TRAILFINDER 2 **MARLIN CRAWLER** EDITION

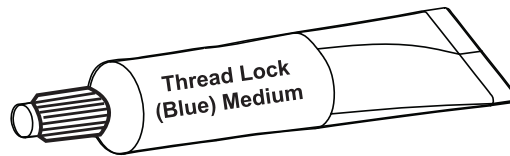
1/10 Trail Finder 2 RTR w/Mojave II Crawler Body Set



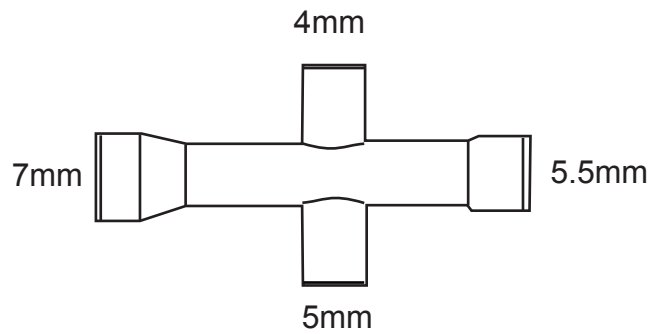
Recommended Tools



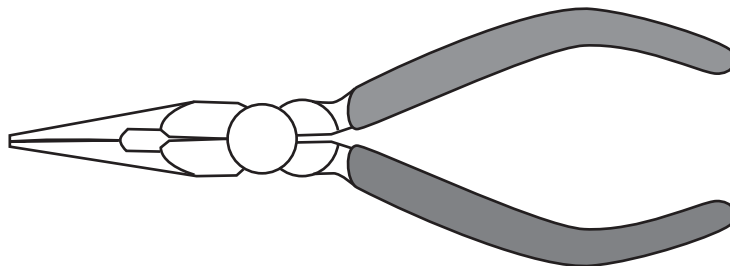
Hex Drivers (1.5mm, 2mm, 2.5mm)



Thread Lock



Cross Wrench

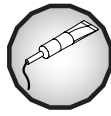


Long Nose Pliers

Instruction Manual Symbols Key



Apply Thread Lock



Apply Grease



Remove



Trim with Hobby Knife



CA Glue



Build Right and Left



Cut with Scissors



Repeat or Build Multiple



Build Front and Rear



Paint



Attention

Tips for Assembly

Use good quality hex drivers to avoid stripping screw heads.

Open kit bags in order of assembly steps.

Use “Step” index for quantity and size of hardware to be used for assembly step.

Do not overtighten screws.

Use thread lock sparingly.

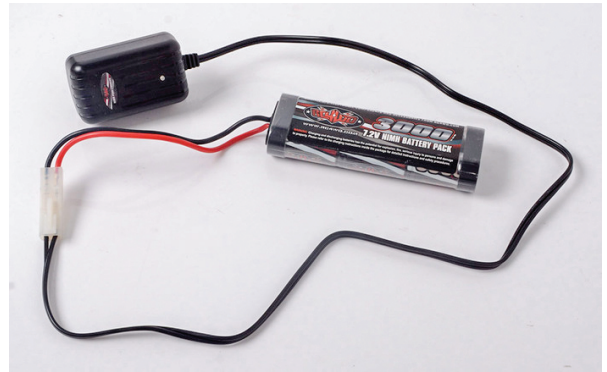
Warranty

RC4WD non-electrical products are warranted to be free of defects in materials and workmanship when new. Our limited warranty does not cover damages due to normal wear and tear, user error of assembly or installation, user modifications, user's failure to perform routine maintenance, addition of aftermarket parts or option parts. This warranty lasts 30 days after arrival for original purchaser. In the event of a defect under this warranty, RC4WD will, at our discretion, replace the product, provided our inspection indicates that an original defect exists. RC4WD reserves the right to replace any product which is no longer available with a product of comparable value and function. If RC4WD determines the repair is not covered under warranty guidelines, we will contact you to discuss your options. If you have any questions, please contact us via email at support@rc4wd.com.

RC4WD warranties its electronics for 30 days from date of arrival. This covers all electrical items except items that are already noted on the individual product page.

BATTERY CHARGING

1. Only charge batteries that are cool to the touch and are not damaged (swollen, bent, broken or punctured).
2. Connect the charger to the proper wall receptacle noting proper polarity.
3. Plug the battery's connector into the charger's connector. The LED will light red as it is charging.
4. The charger will emit a tone and the LED will change to green once fully charged. NOTE: Monitor the battery while charging and end the charging process if the charger or battery becomes abnormally hot.
5. Always unplug the battery from the charger immediately upon completion of charging.



CAUTION: Overcharging a battery may cause a fire.

SPECIFICATIONS

Input Voltage	110VAC~240VAC
Output Current	650MA
Charging Model	pre-charged, steady current, monitoring, automatic protection
Charging Capability	5-8 NiMH batteries

⚠ WARNING

This charger is designed to charge only 5~8 Cell NiMH batteries. Make sure that the battery is compatible with the charger's charge rate.

Never let children operate unsupervised while charger is in use.

Adult supervision is recommended at all times.

The charger is for indoor use only. Do not use in case of high humidity conditions or condensation.

Do not attempt to open or modify the charger's case.

Do not let objects or liquids penetrate the charger's cooling vents.

The charger may get hot during use. Use the charger in a well ventilated area, away from people and electrically conductive or inflammable materials.

If the battery has suspicious reactions during the charge or discharge, such as overheating, venting or leaking, immediately disconnect the battery and store it in a safe location, away from people and inflammable materials.



NIMH BATTERY

IMPORTANT: To prevent battery from leaking, overheating or exploding, carefully follow these instructions! Misuse of battery may lead to leakage, heat generation or explosion. Battery may become hot during use. Battery temperature may exceed 80C (175F) even under normal operation and may cause burns or alter the shape of some materials.

⚠ DANGER

- Failure to follow instructions associated with this symbol risks injury or even death!
- If battery liquid enters the eye, immediately flush continuously with clean running water and seek medical treatment. Serious and permanent eye damage may occur.

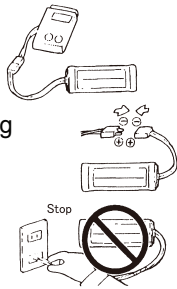
⚠ WARNING

- Failure to follow instructions associated with this symbol risks injury or even death!
- Avoid battery liquid contact with skin and clothing.
 If contact occurs, remove contaminated clothing and wash skin thoroughly with water.

Before Use: Read and understand the battery and charger operating instructions before recharging.

⚠ DANGER

- ONLY use genuine charger unit for recharging brand NiMH batteries.
- ENSURE polarity is correct when plugging a battery into the charger unit.
- NEVER plug a battery directly into household outlets or cigarette lighters in cars!



⚠ WARNING

- NEVER place a battery into water.
- IF you experience irregular noise, temperature or any leaking from your battery, stop using it immediately!
- KEEP battery away from exposed flame, high temperatures and humidity.

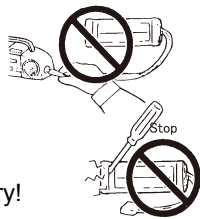


NOTE: Before any use of this battery, ensure that it is fully charged.

During Use: Always monitor a battery while it's charging so you can react to any unexpected problems.

⚠ DANGER

- NiMH batteries are ONLY for use in R/C (radio control) models! Do NOT use them for any other purpose!
- NEVER disassemble or modify a battery!



⚠ WARNING

- DO NOT remove or cut the outer tube from battery!
- DISCONTINUE charging immediately if the charge time has been exceeded, even if the battery is not fully charged.



Battery is recyclable. At the end of its useful life, under various national, state or local laws, it may be illegal to dispose of a battery into the municipal waste stream. Check with your local solid waste officials for details in your area for recycling options or proper disposal.

⚠ WARNING

Before using, customers must read information below:

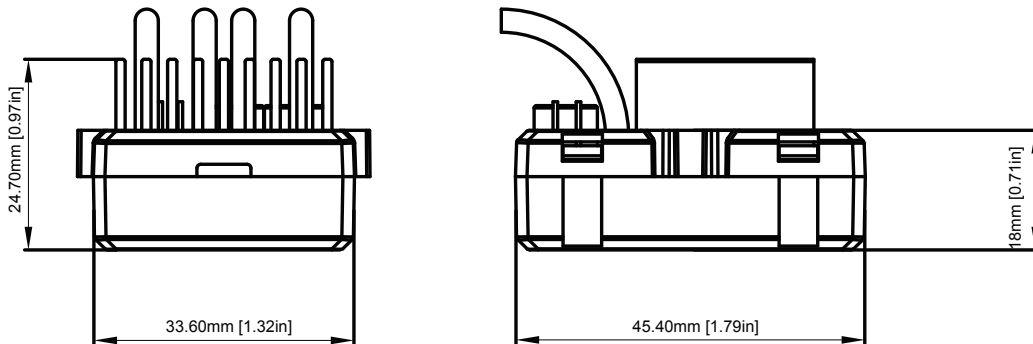
- Use caution when holding the battery. Do not drop or attempt to dismantle the battery or any parts of the battery.
- Do not mix usage of old and new cells or cells of different sizes, different chemistry and/or types in the same battery assembly.
- Do not heat or dispose of battery into fire, water and/or other liquids.
- Do not place the battery into microwave, washing machine and/or drying machine.
- Do not use a damaged battery (such as swollen, deformed, voltage is lower than 0.9V, destroyed, etc.)
- Do not place batteries near heating sources or expose to direct sunlight for long periods. Elevated temperatures may result in reduced battery life cycle.
- Do not short-circuit the battery's positive and negative terminals.
- Do not charge, discharge or store the battery above or below the battery specifications.
- Do not disassemble the battery.
- Before charging battery, ensure polarity is correct.
- Keep battery far away from easily flammable objects and children while charging.
- Do not charge when battery is hot to the touch. Allow battery to cool before recharging.
- Never leave batteries unattended while charging.
- Do not leave battery installed in your model while not in use. Do not charge the battery while installed in models.

RC4WD Outcry II Waterproof ESC

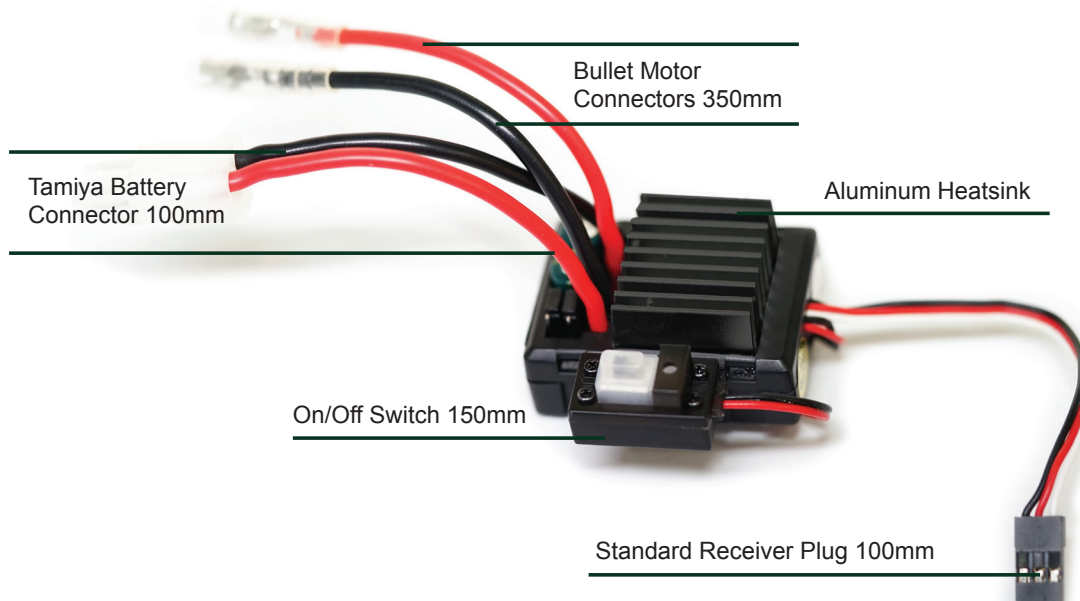
BASIC SPECIFICATIONS

Type		Brushed Motor ESC
Model		Z-E0089
Specification		1/10 Electric ESC
Lipo		2-3S
NiMH (1.2V/PCS)		4-9 PCS
BEC Output Voltage (V) - Current (A)		5V/2A
ESC	Max Length (mm/in)	45.40mm [1.79in]
	Max Height (mm/in)	24.70mm [0.97in]
	Max Width (mm/in)	33.60mm [1.32in]
Output Current		Continuous working current is 45A, Forward steps are 320A, Backward steps are 160A.
Proper Motor		540 Motor Size/19T & Higher Winds

SIZE SPECIFICATIONS



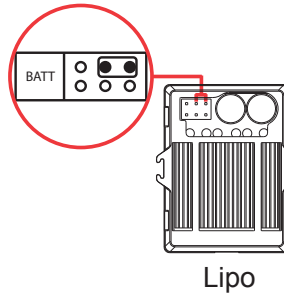
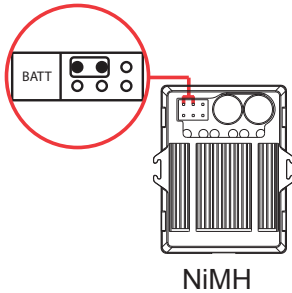
OVERVIEW



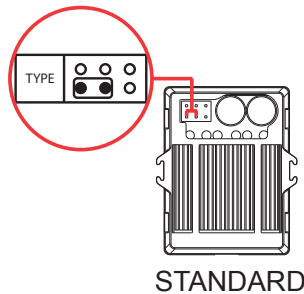
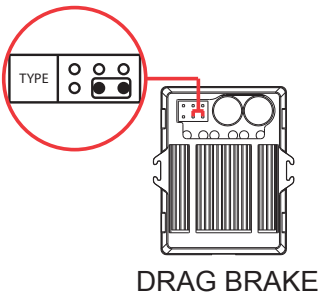
INSTRUCTIONS

Product Features and Characteristics

I. NiMH/Lipo Option



II. Drag Brake/Standard Option



III. Micro Controller (MCU) Automatic Learning Center Point

WARNING: Prior to proceeding, be sure to either remove the pinion from the motor or elevate the truck so the wheels are not able to touch the ground.

1. The CPU can automatically sense if it is at its center point. Keep the switch at "ON" after connecting with power, motor will emit a "DO" sound and start the center point learning process.
2. During this time, please do not touch the throttle. If the center point is reached, motor will emit a "DO RE MI" sound. If the center point is not reached, motor will emit a "DO DO..." sound. If this happens, user must manually adjust to center point. User should hear the motor go from emitting "DO DO..." sound to emitting "DO RE MI" sound. That's the center point learning process.
3. If the ESC is unable to receive the signal, LED light will flash very quickly to alert user that there is no signal.

IV. Automatic Temperature Protection

The automatic temperature protection can prevent ESC from any damages caused by overheating. This product has a special design for temperature control. When the temperature is very high, the ESC will power itself off and LED light will stay on as a warning.

V. While in the lithium battery mode, the battery quantity will be automatically recognized.

- A. This ESC will automatically determine if it's 2S or 3S, no human operation required. Once connected to the power and the center point learning is completed, motor will emit a sound of battery quantity. For example, "MI MI" is for 2S, "MI MI MI" is for 3S.
- B. This ESC can protect the lithium battery to avoid the battery from extreme discharge.
- C. This ESC has an LED voltage warning. LED light will indicate a slow flashing when the lithium battery is being protected.
- D. This ESC has a half-power warning. When using 2S battery, if the voltage goes down to 6V, ESC will start the half-power output. If the voltage goes down to 5.8V, ESC will stop working. When using 3S battery, if the voltage goes down to 9.6V, ESC will start the half-power output. If the voltage goes down to 9V, ESC will stop working.

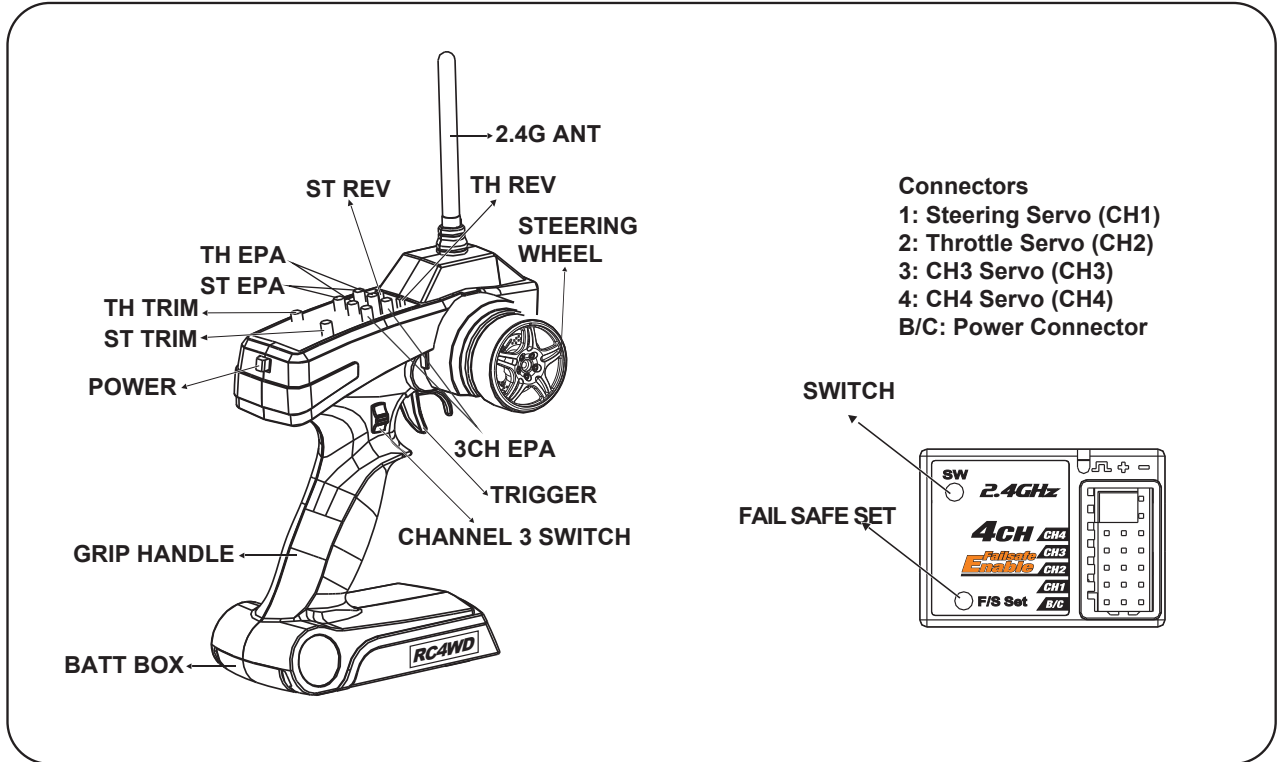
IMPORTANT NOTES

1. Prior to proceeding, be sure to either remove the pinion from the motor or elevate the truck so the wheels are not able to touch the ground.
2. Do not touch this product while in use to avoid injury. Product emits heat and thus, the heat sink may become extremely hot.
3. This product is waterproof. Product will be functional in up to 10cm of water for 2 hours.

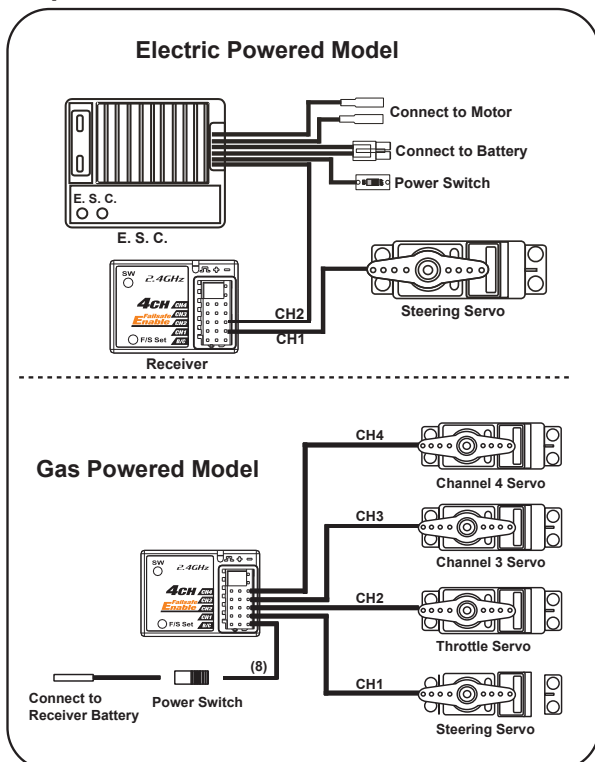


3C Transmitter / Radio

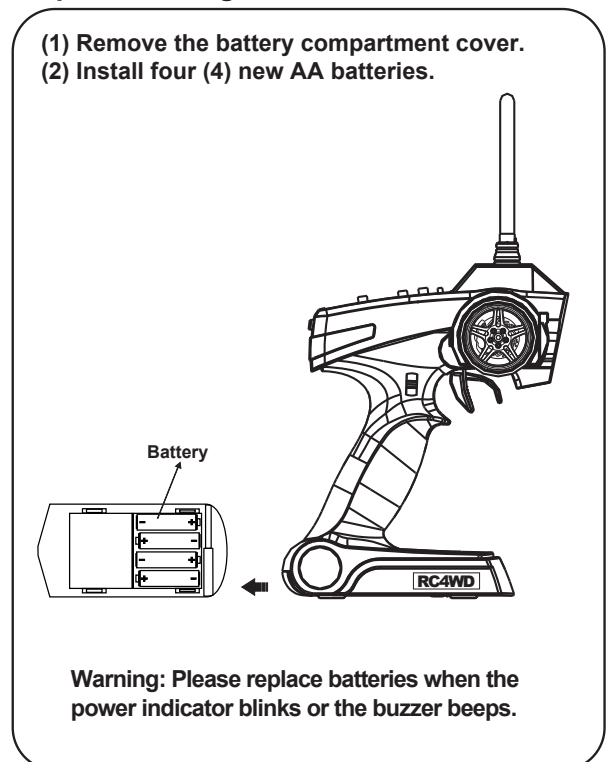
Step 1. Transmitter and Receiver Overview



Step 2. Receiver and Servo Connection



Step 3. Installing the Batteries



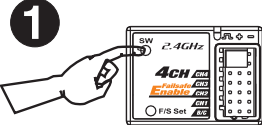
RC4WD USA 100-0012

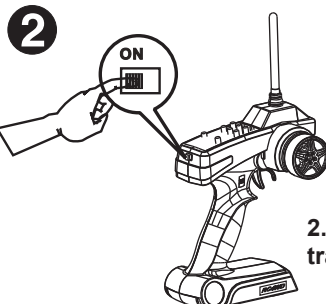


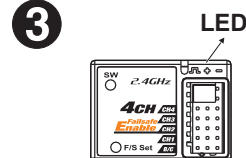


3C Transmitter / Radio

Step 4. Binding the Transmitter and Receiver

- 

1. Turn on the receiver power. Press the SW switch. The receiver's LED should start flashing.
- 

2. Turn on the transmitter.
- 

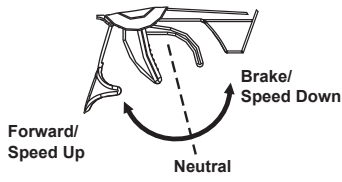
3. When the LED on the receiver becomes solid, the binding process is completed.

Step 5. Fail Safe Function Settings

1. Set the TH, ST switches to the norm position.
2. Turn on the transmitter and receiver.
3. Press the F/S SET button, the LED on the receiver should start flashing rapidly.
4. Put the throttle trigger in the break position, press the F/S SET button. The LED should become solid.
5. For Electric Model, put the throttle trigger in the stop position when you are adjusting the setting.

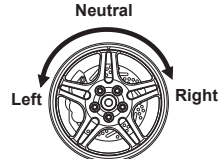
Step 6. Transmitter Adjustments

A. Throttle Trigger



1. Push the trigger forward to slow down brake.
2. Pull the trigger backward to accelerate.

B. Steering Wheel



Turn the steering wheel to the left or right to let the vehicle turn left or right.

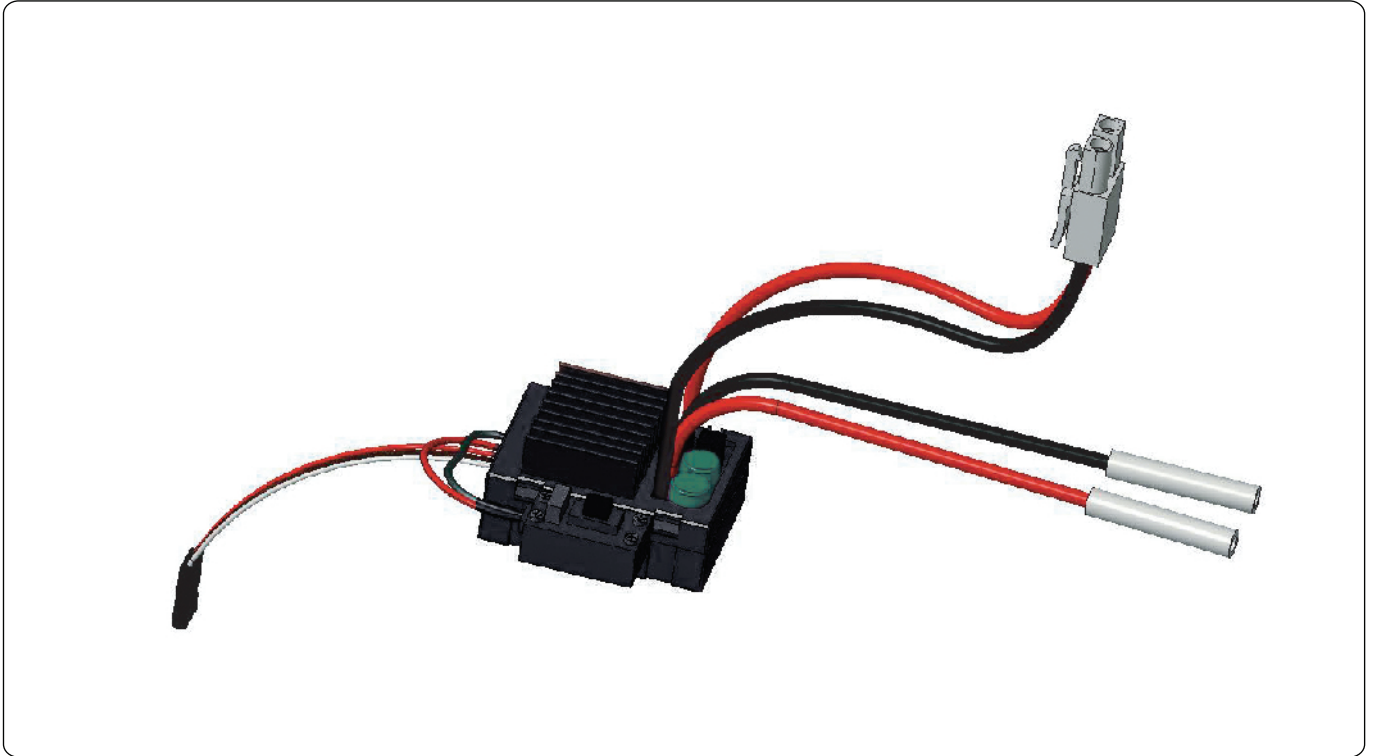
WARNING: 1) Keep the transmitter and receiver 40cm apart when operating.

2) Do not operate the radio system when the battery power is low.

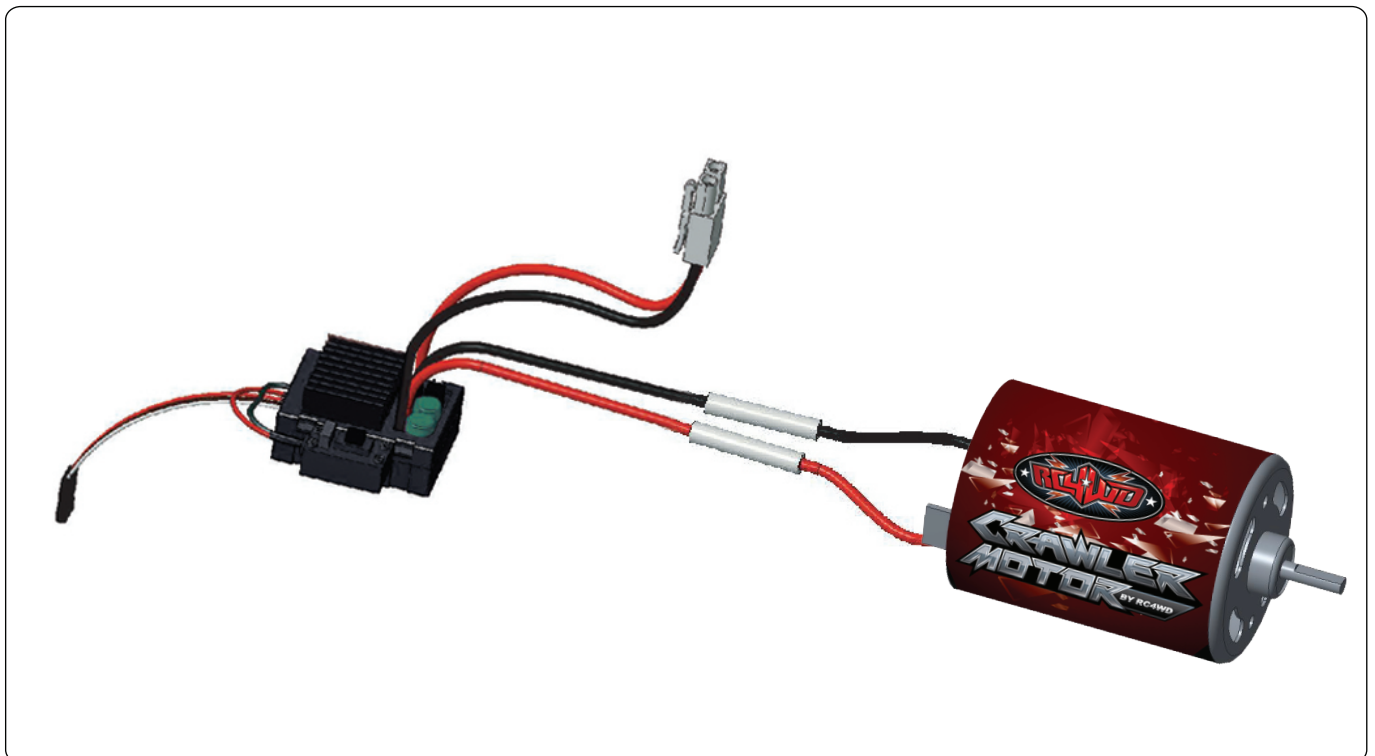
Marlin Crawler RTR Electronic Manual

This is a step by step overview of your new Marlin Crawler RTR electrical items and how they connect.

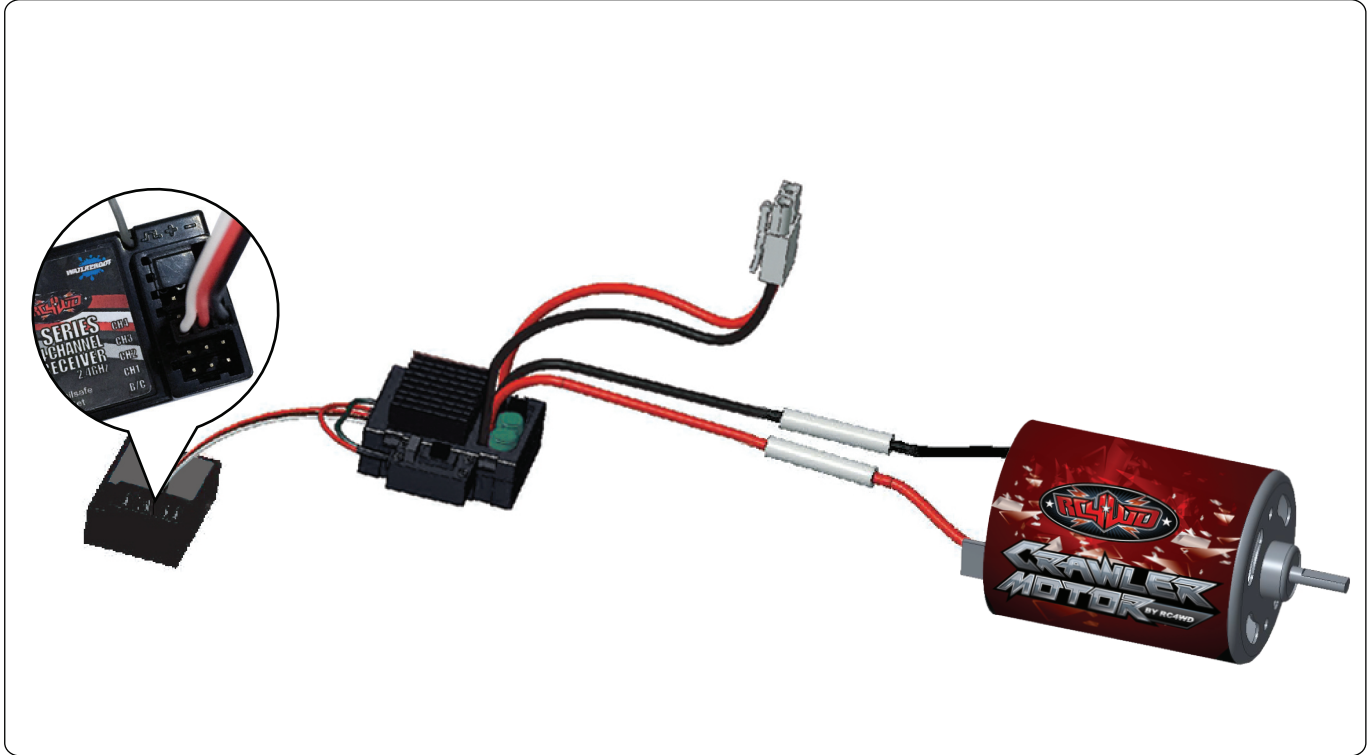
1. Outcry II Waterproof ESC (Z-E0089)



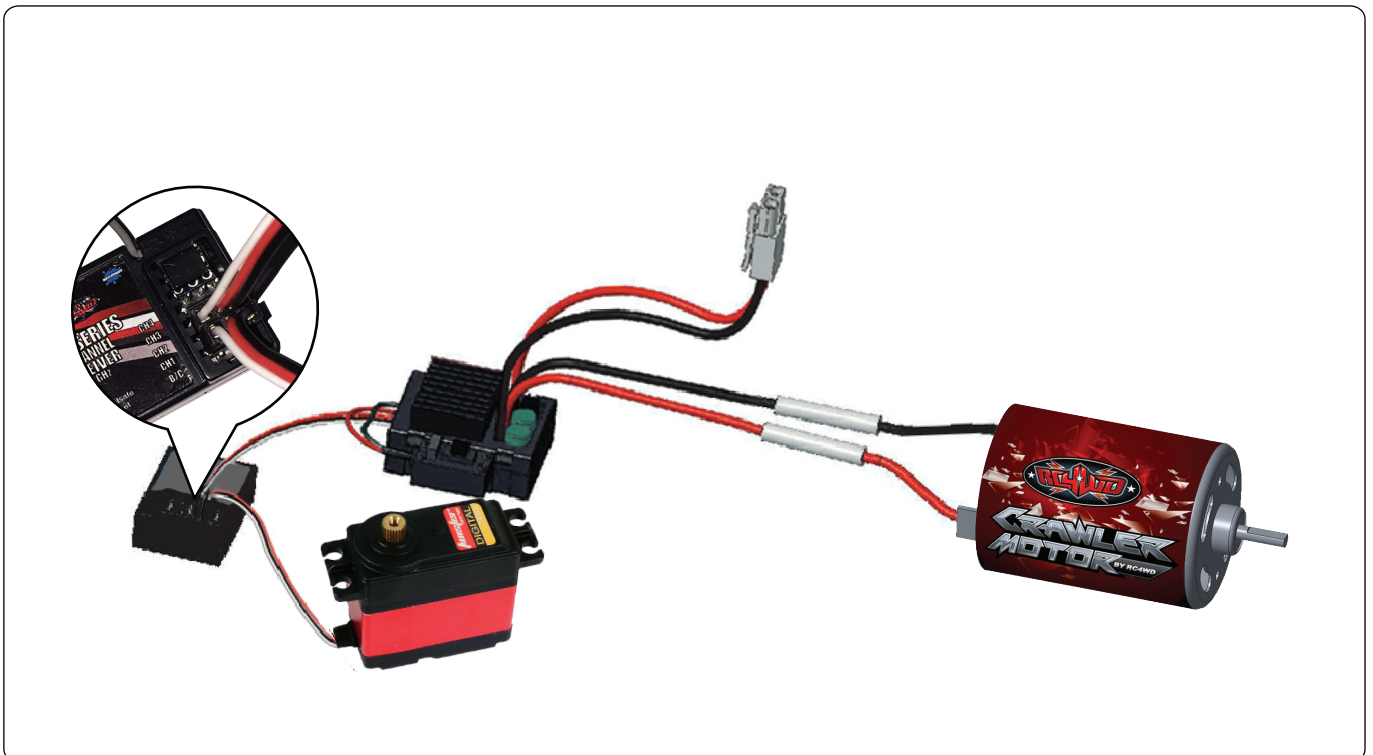
2. Shows the ESC connected to the Brushed 45T Crawler Motor (Z-E0004)



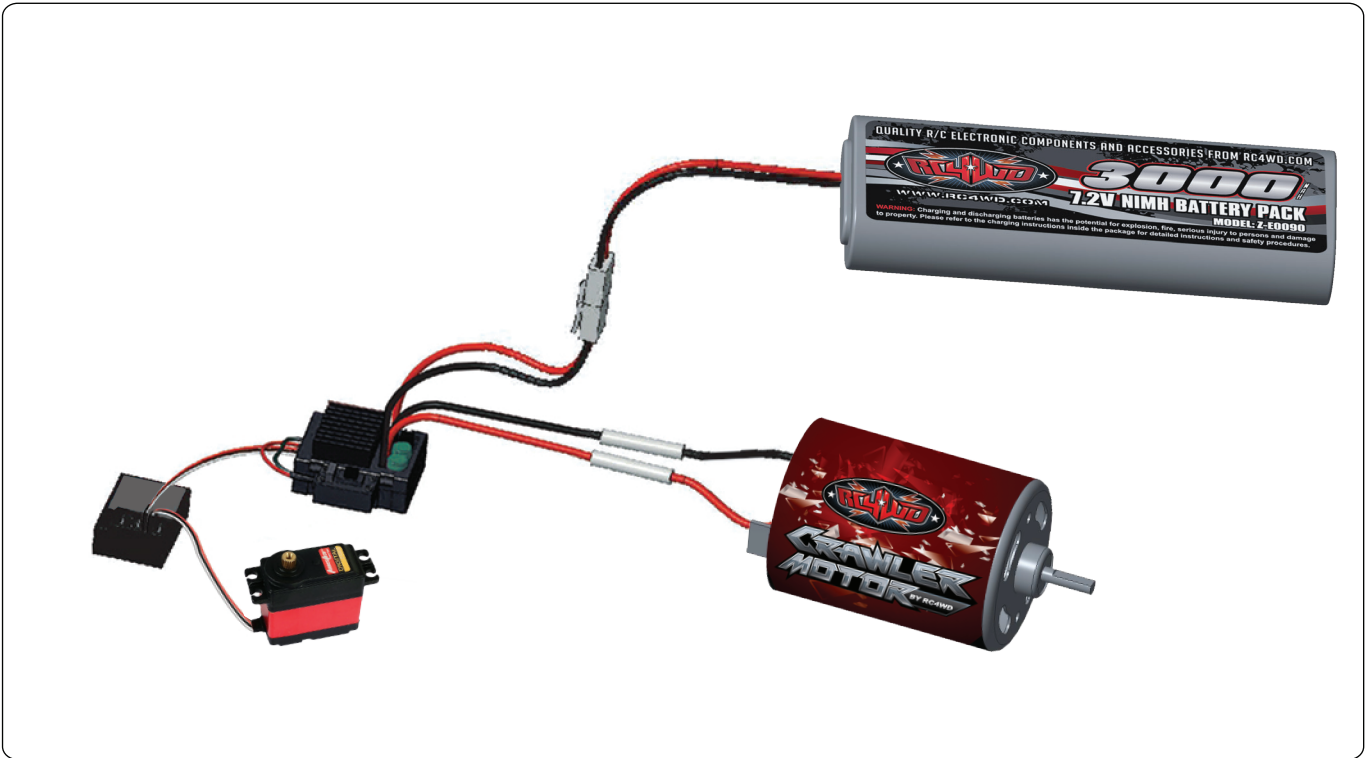
3. This shows the ESC to radio's receiver (Z-R0008) connected to the CH2 port



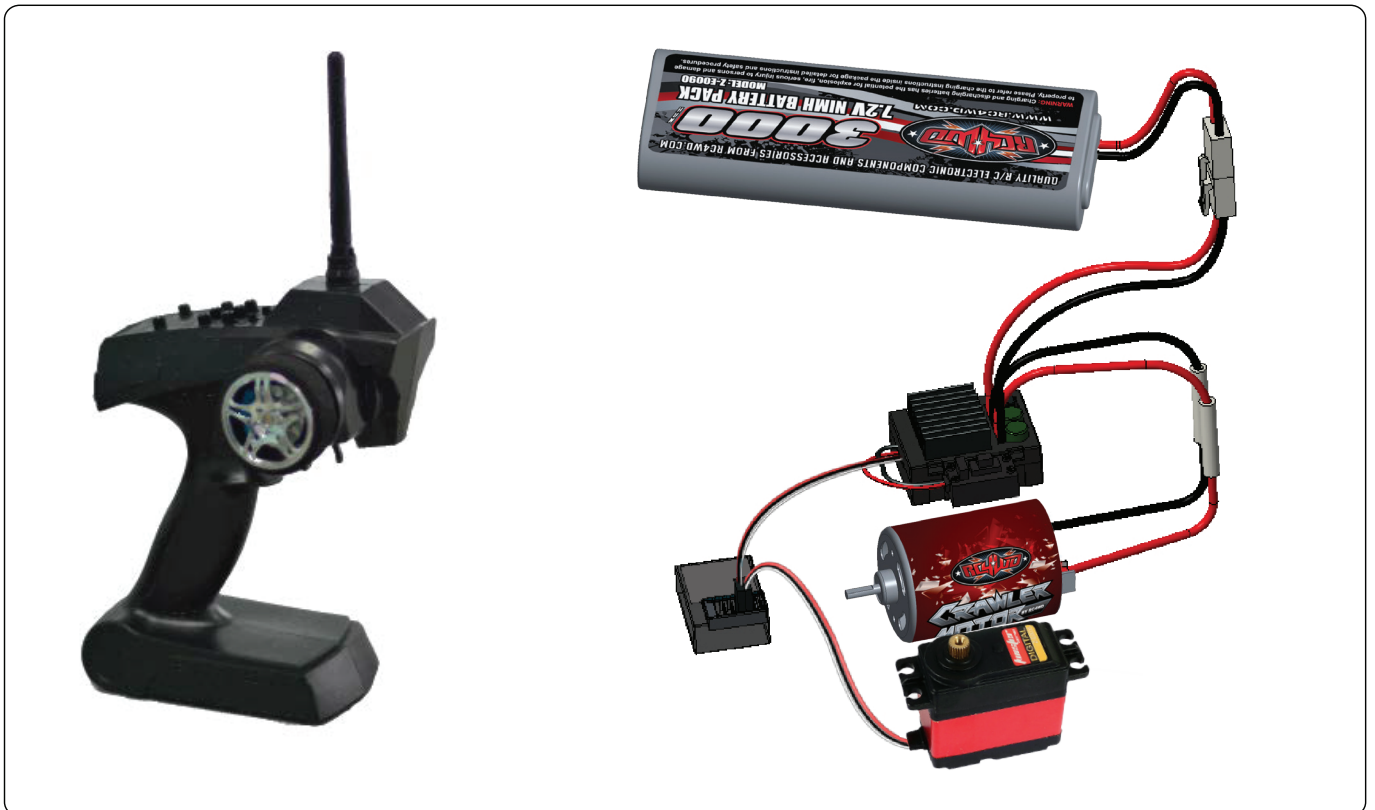
4. Connect the servo (Z-E0035) to the radio's receiver Channel 1 (CH1)
This controls the truck's steering from the radio.



5. Shows the battery (Z-E0090) connected to the ESC



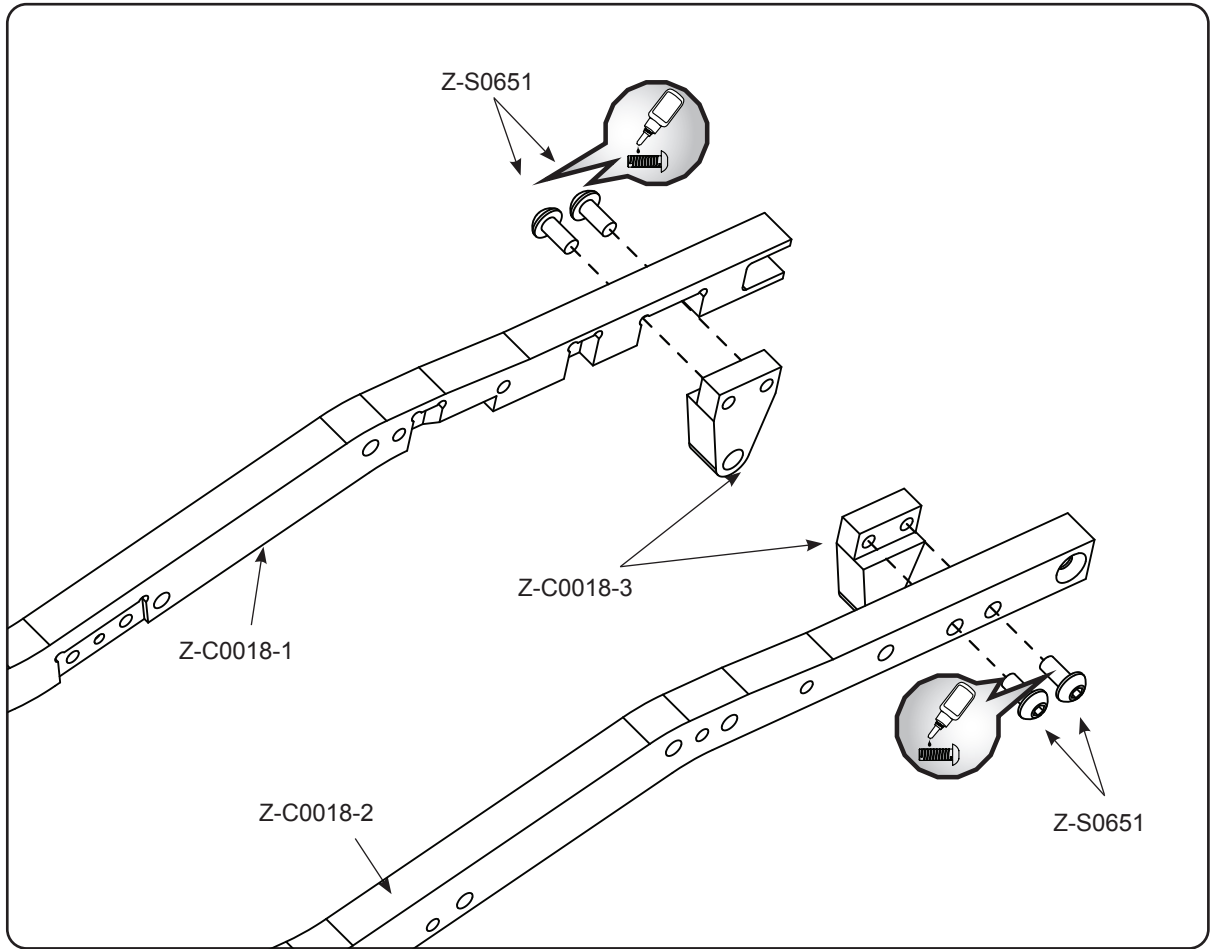
6. This final step shows all the items as they are connected on the truck



R4WD

Step 1

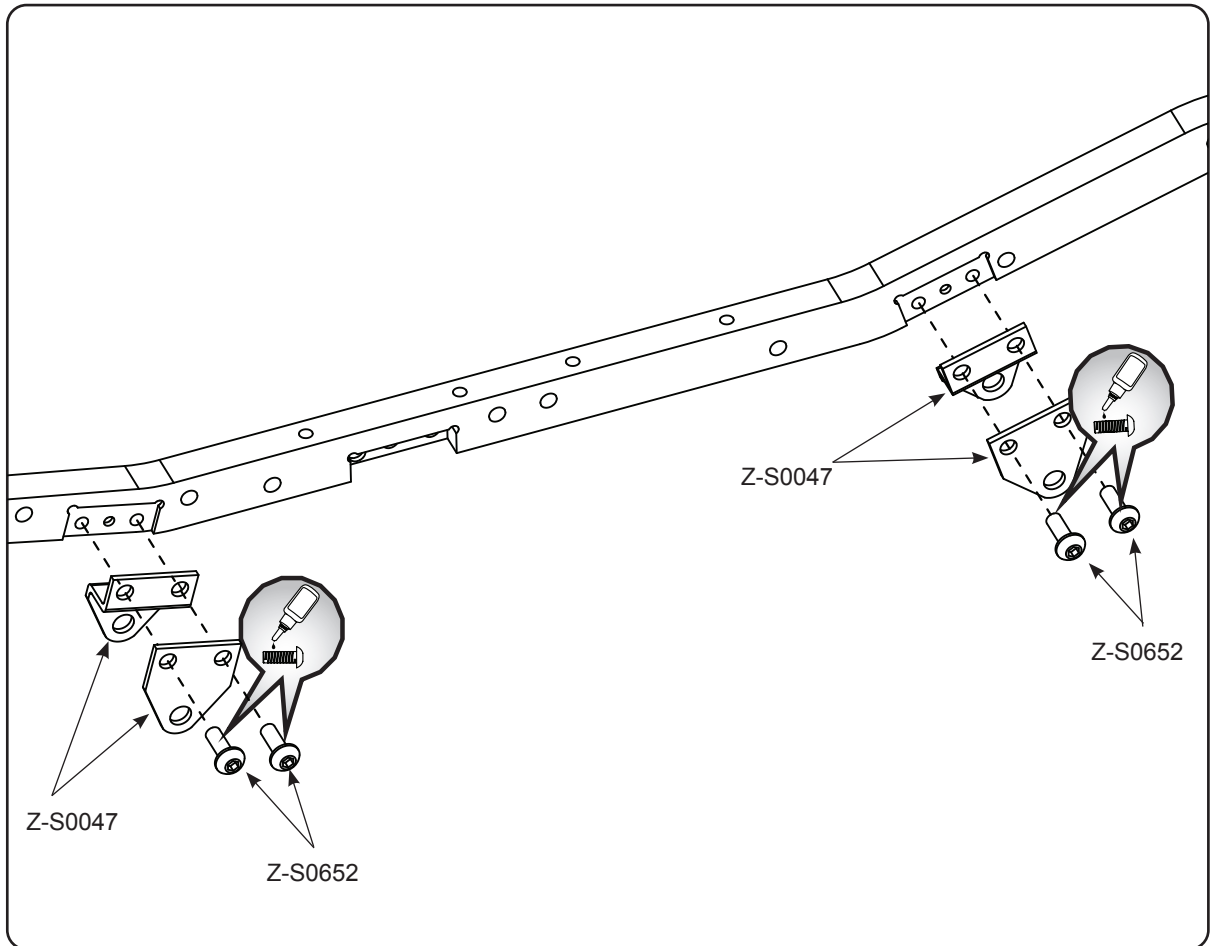
X4
Z-S0651
M3 x 6mm BHCS



R4WD



Step 2

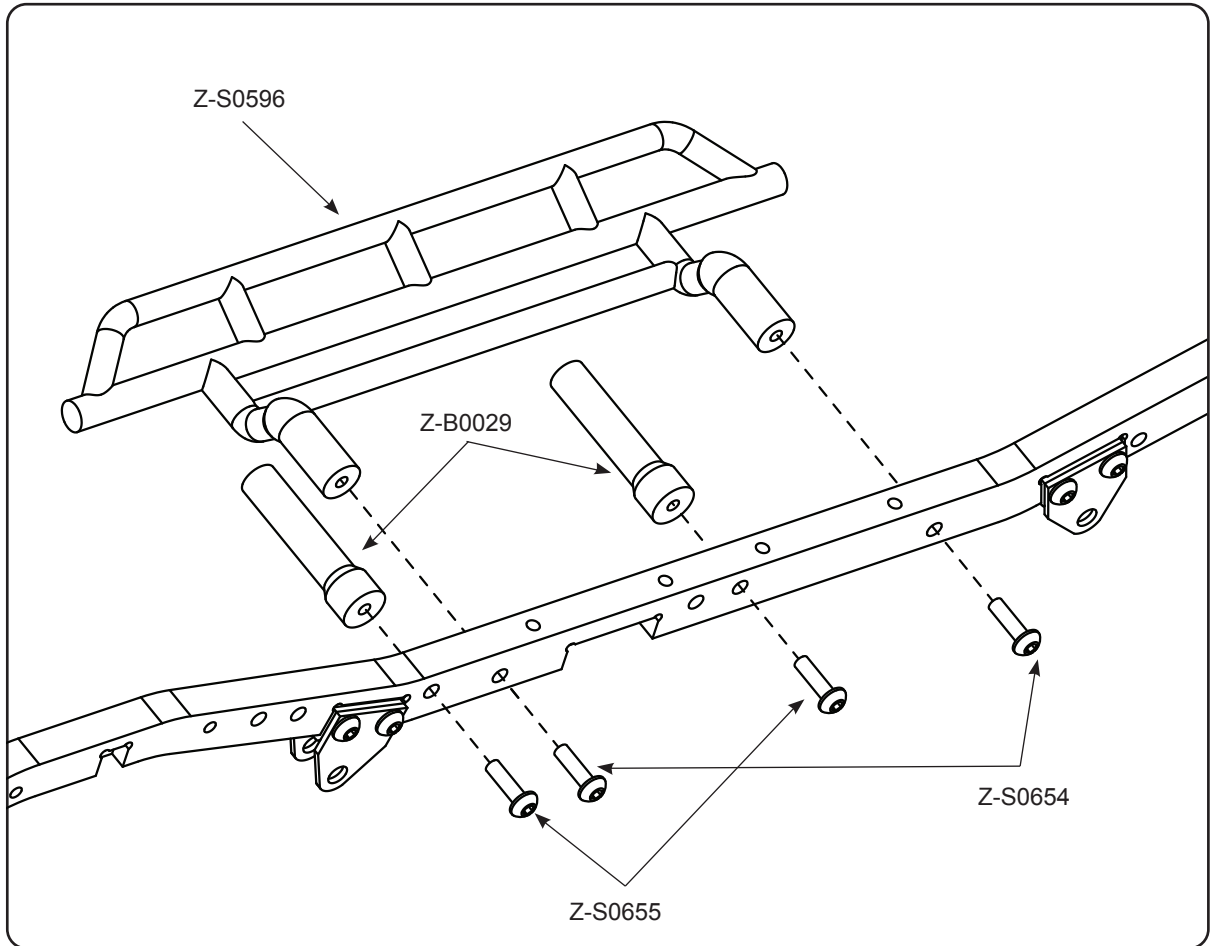
X4
Z-S0652
M3 x 8mm BHCS



R4WD


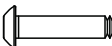
Step 3

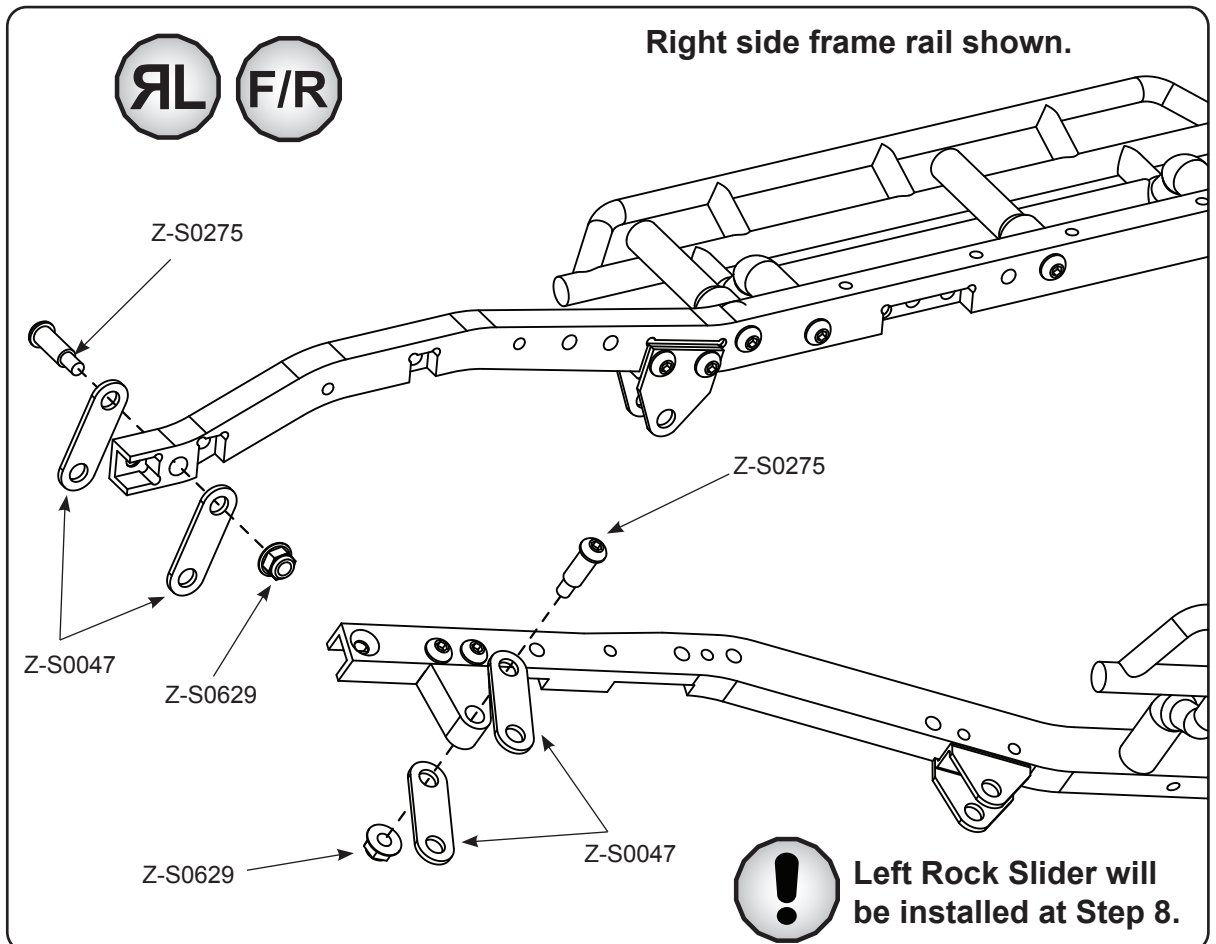
-  X2
Z-S0654
M3 x 12mm BHCS
-  X2
Z-S0655
M3 x 14mm BHCS



R4WD

Step 4

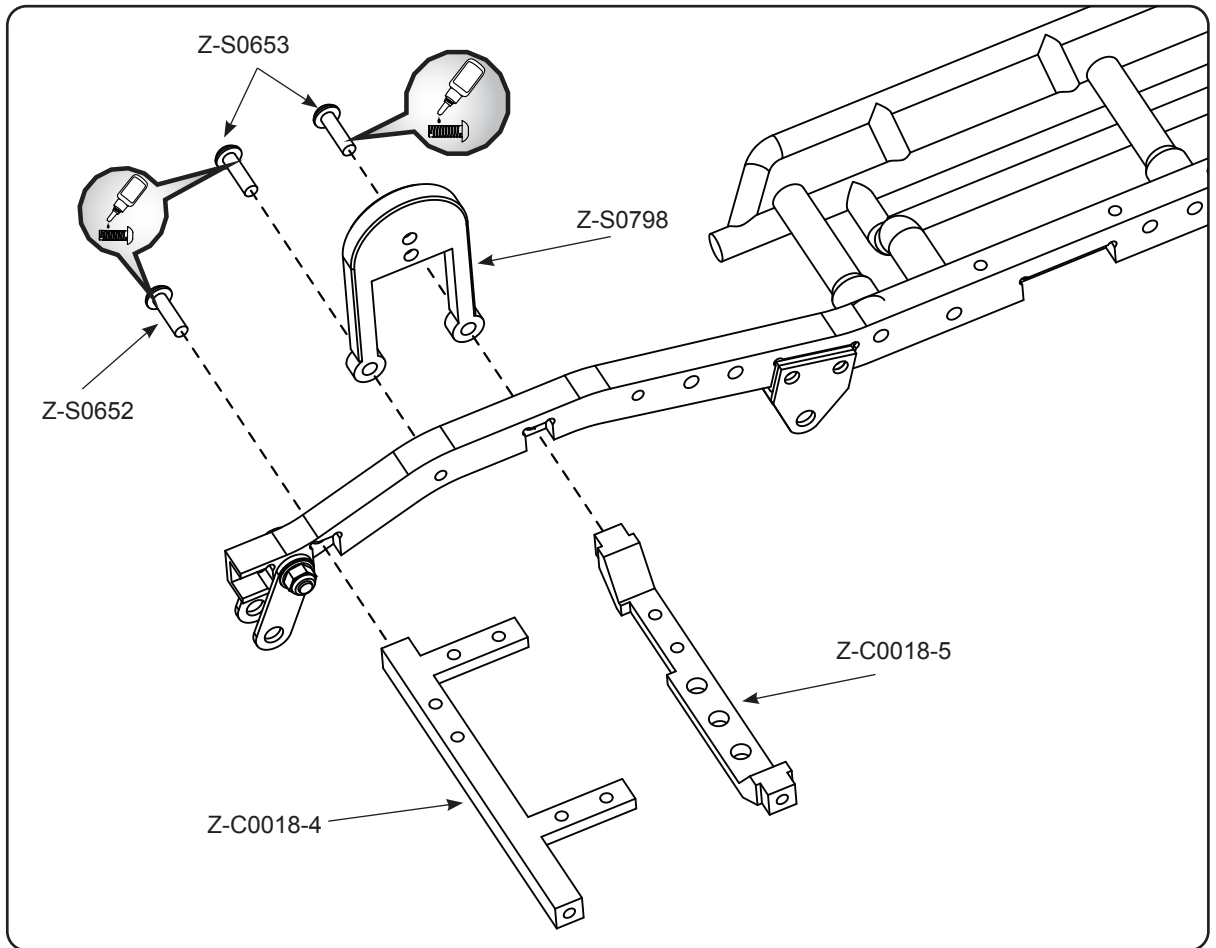
-  X4
Z-S0629
M3 Black Lock Nut
-  X4
Z-S0275
M3 x 15mm
Shoulder Screw



R4WD

Step 5

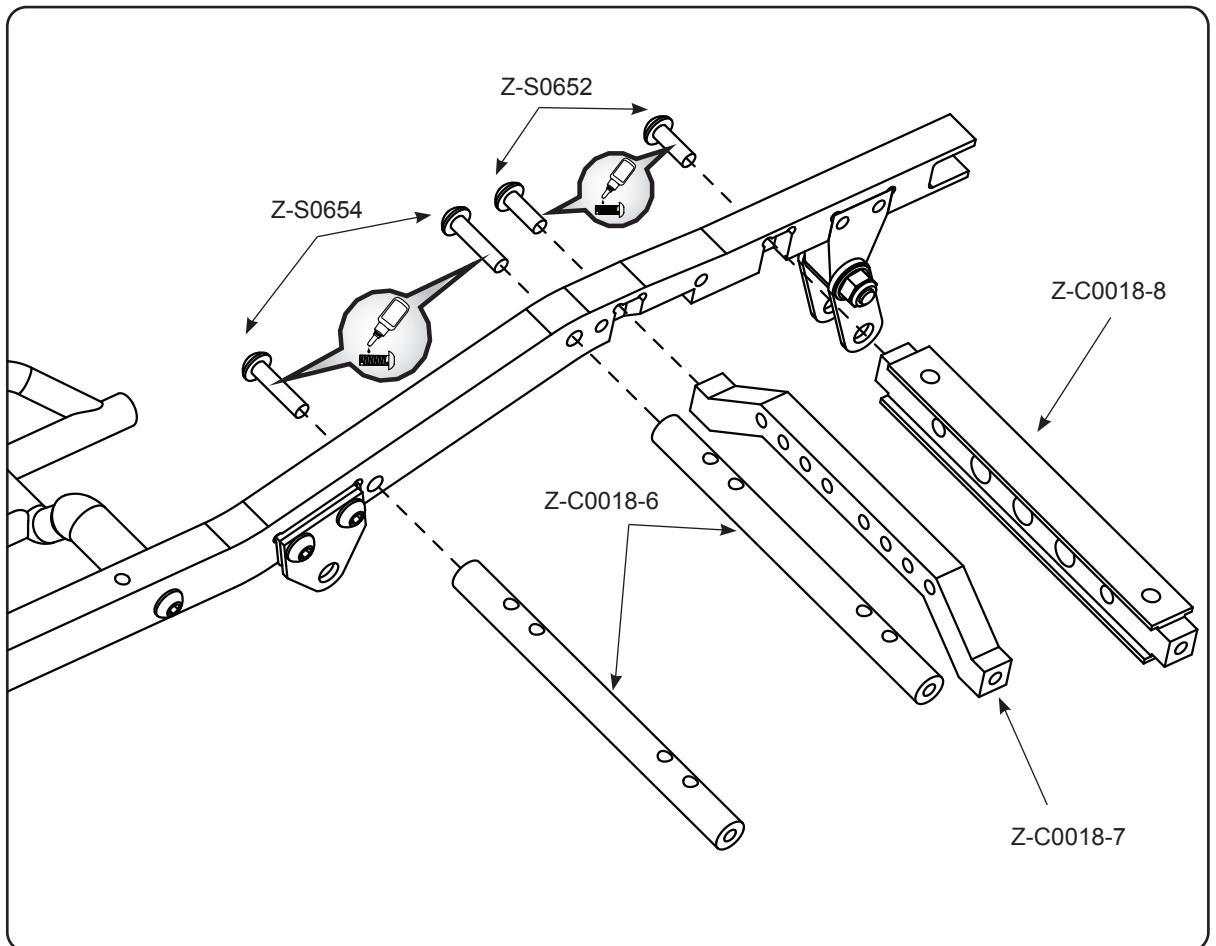
- X1
Z-S0652
M3 x 8mm BHCS
- X2
Z-S0653
M3 x 10mm BHCS



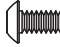



R4WD

Step 6

- X2
Z-S0652
M3 x 8mm BHCS
- X2
Z-S0654
M3 x 12mm BHCS

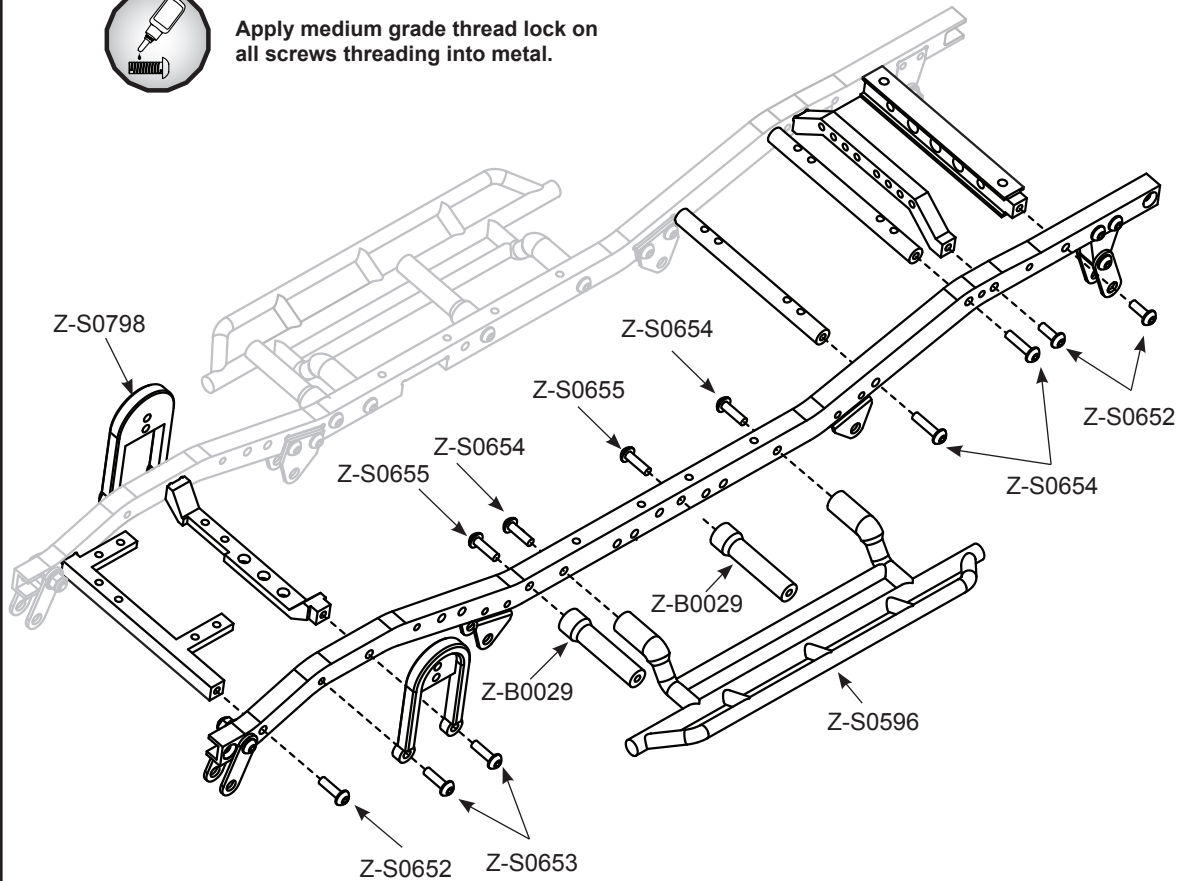


RC4WD
Step 7


-  X3
Z-S0652
M3 x 8mm BHCS
-  X2
Z-S0653
M3 x 10mm BHCS
-  X4
Z-S0654
M3 x 12mm BHCS
-  X2
Z-S0655
M3 x 14mm BHCS

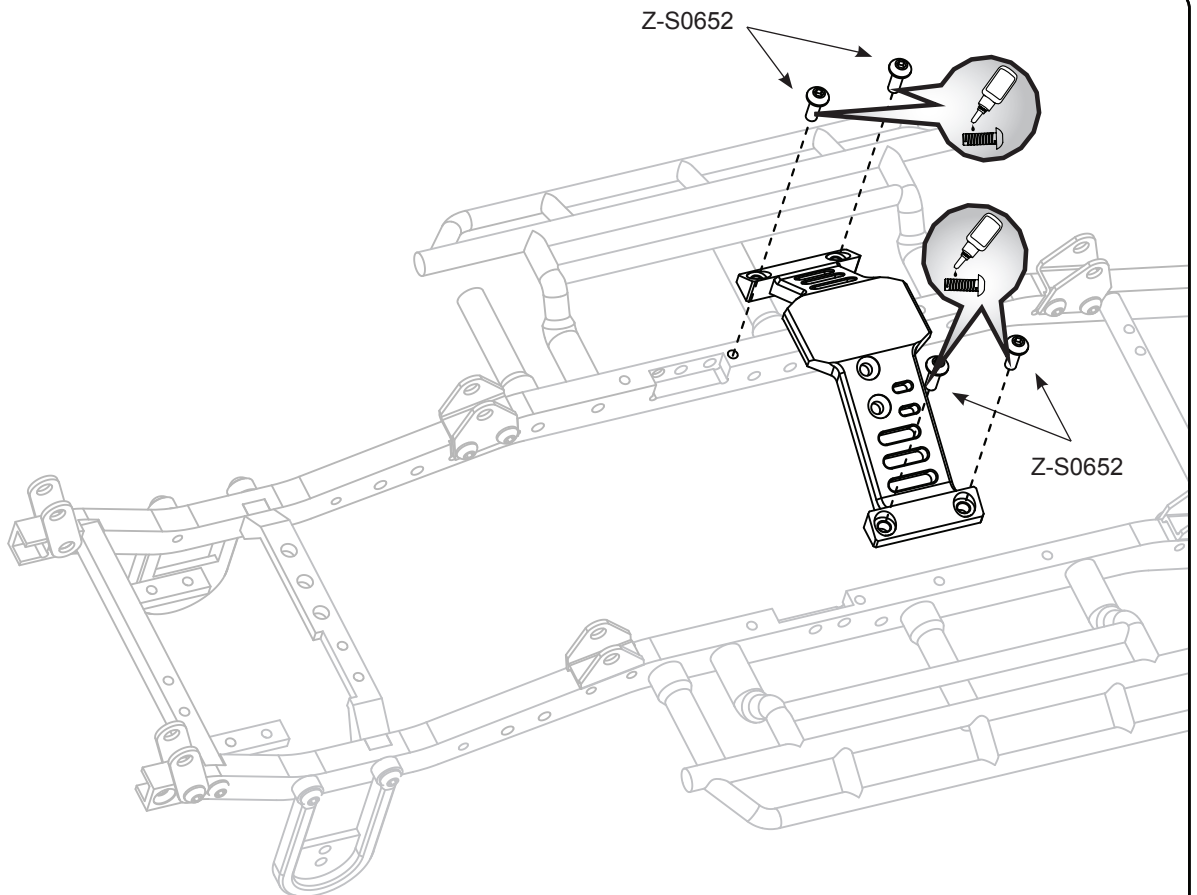


Apply medium grade thread lock on all screws threading into metal.



RC4WD
Step 8

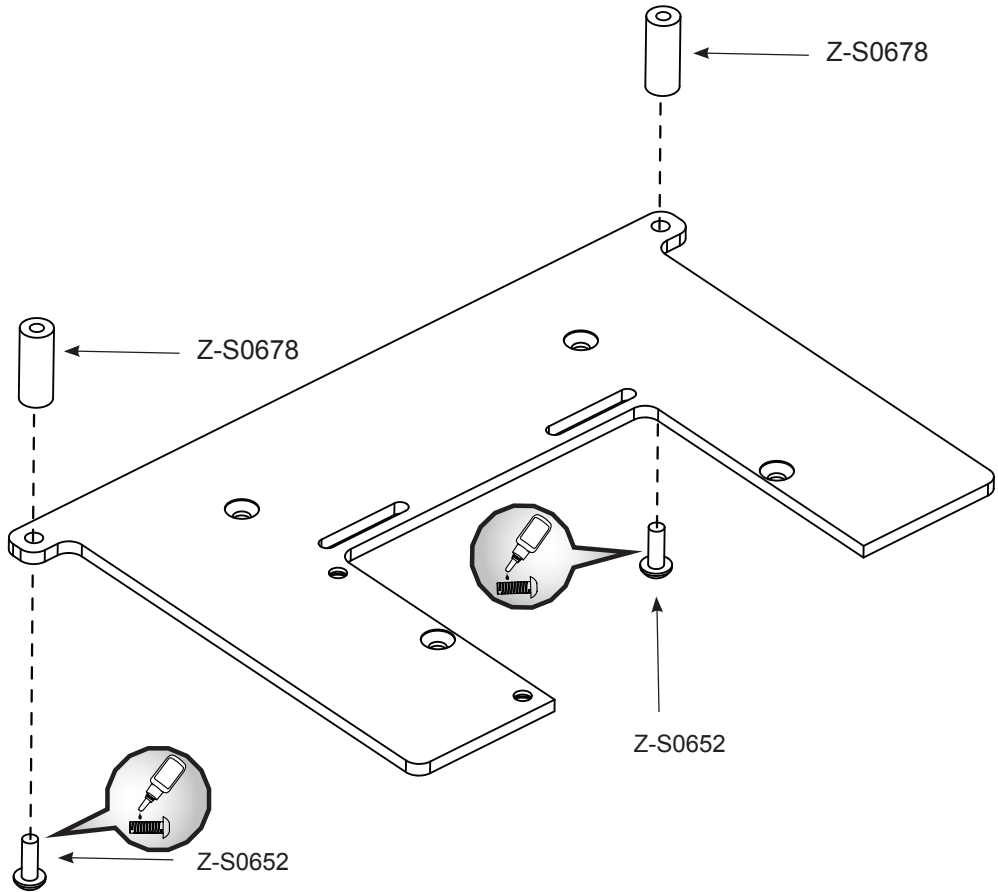
-  X4
Z-S0652
M3 x 8mm BHCS



R4WD

Step 9

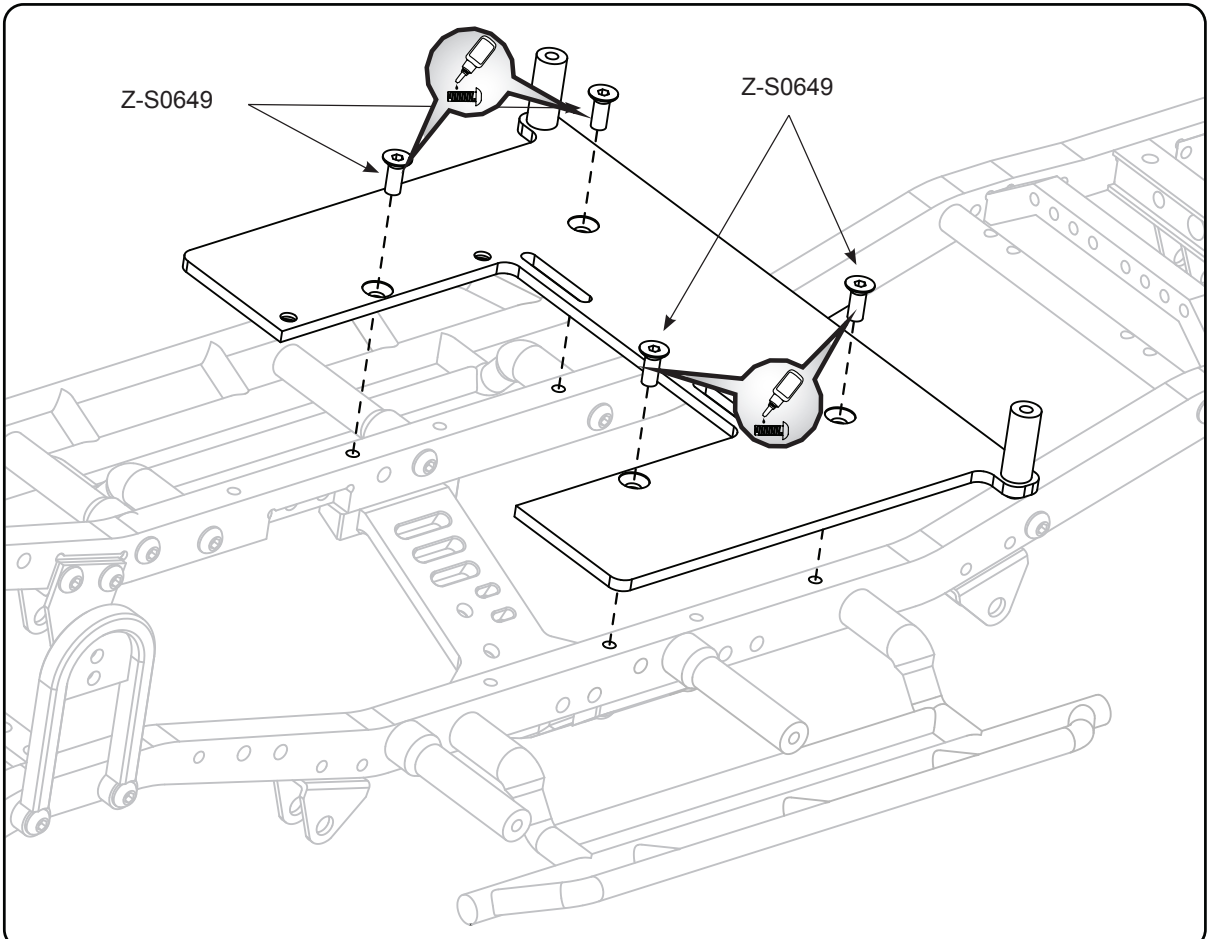
 X2
Z-S0652
M3 x 8mm BHCS



R4WD

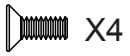
Step 10

 X4
Z-S0649
M3 x 8mm FHCS



RC4WD

Step 11



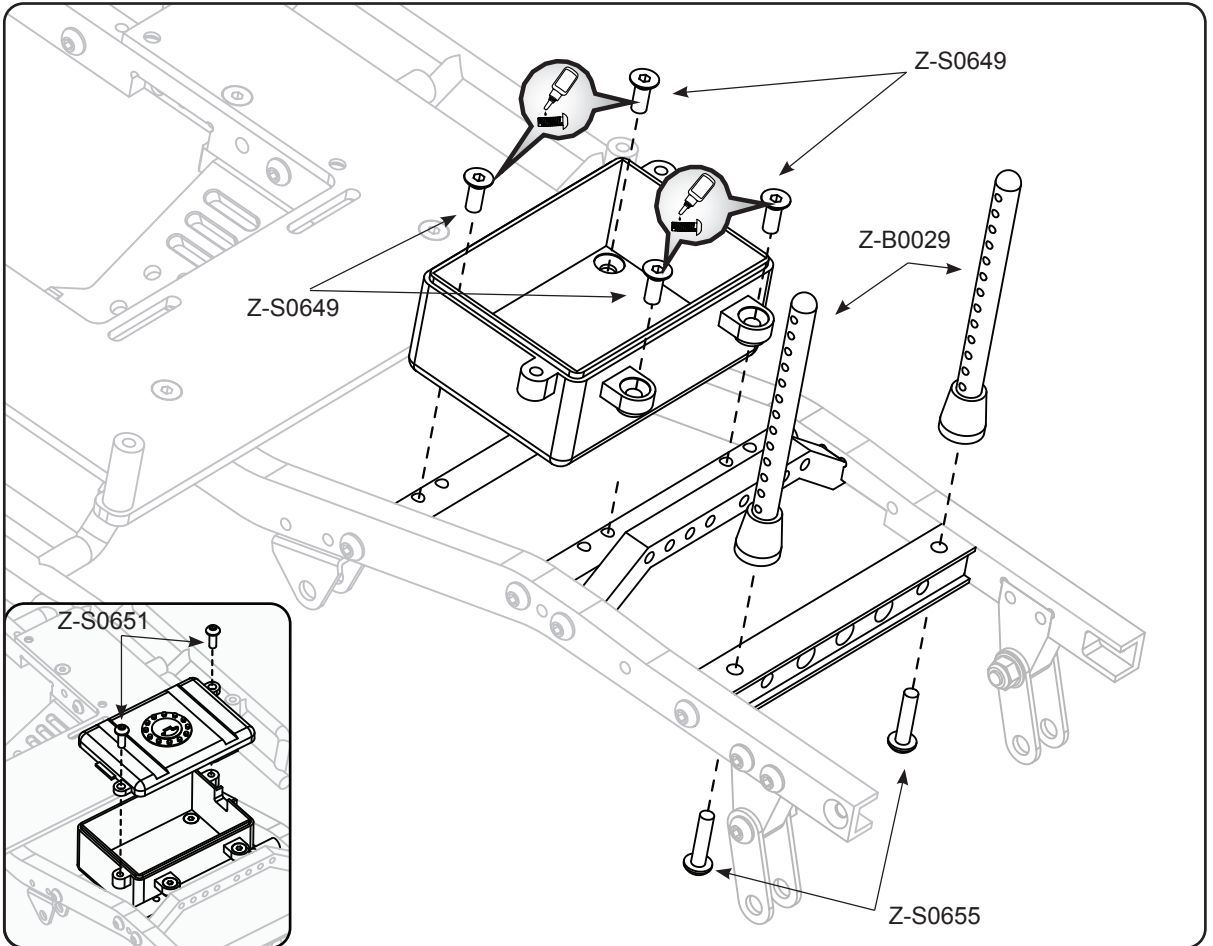
X4
Z-S0649
M3 x 8mm FHCS



X2
Z-S0651
M3 x 6mm BHCS



X2
Z-S0655
M3 x 14mm BHCS

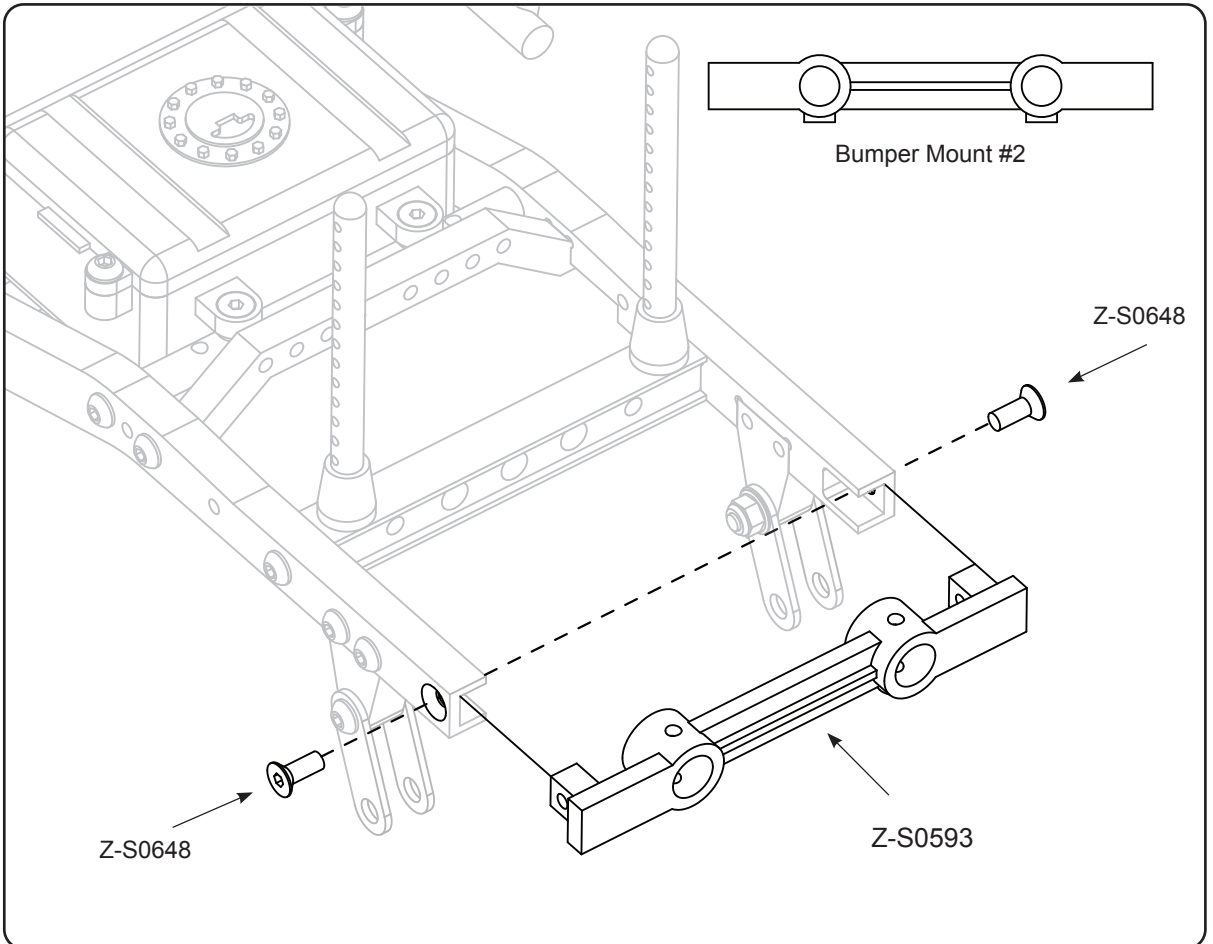


RC4WD

Step 12




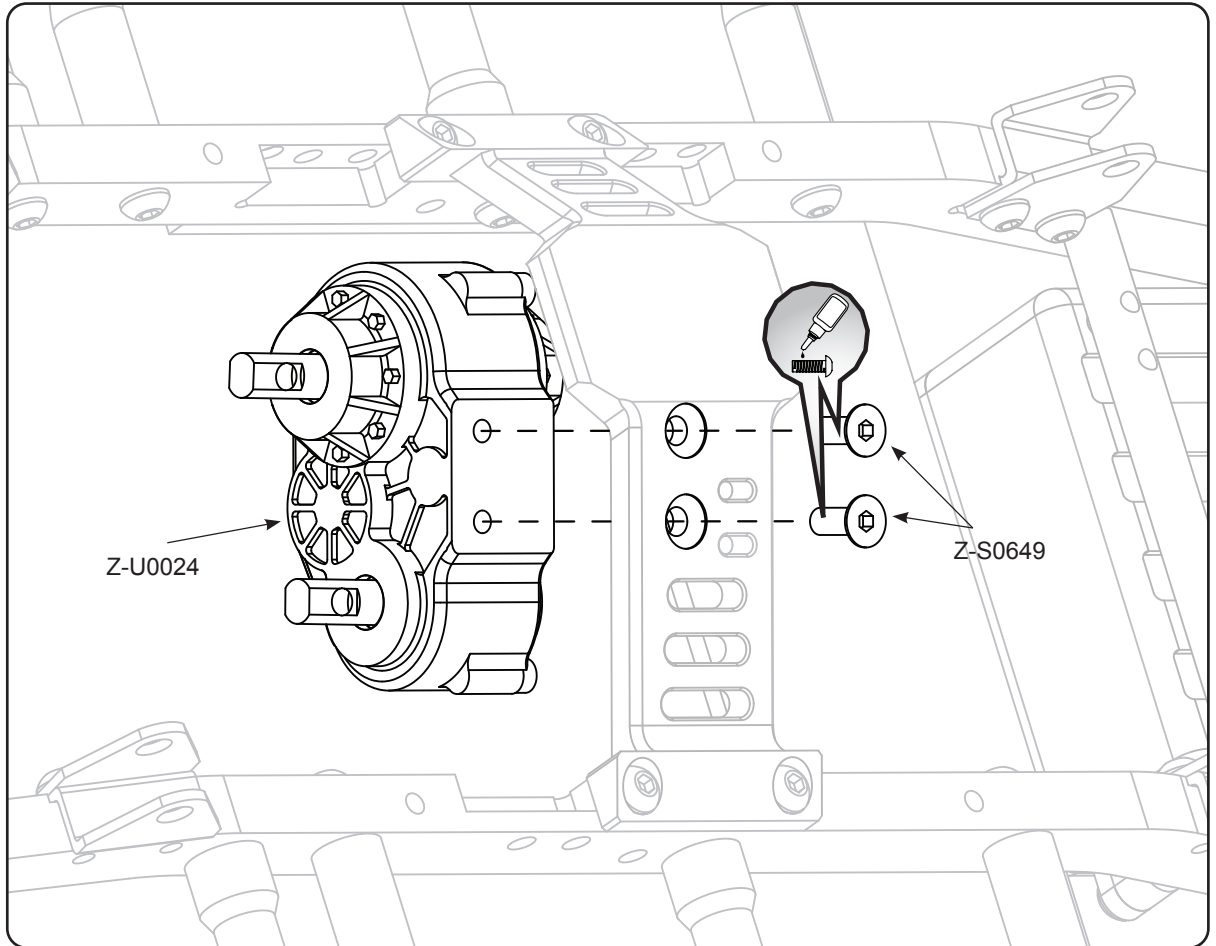
X2
Z-S0648
M3 x 6mm FHCS



RC4WD


Step 13

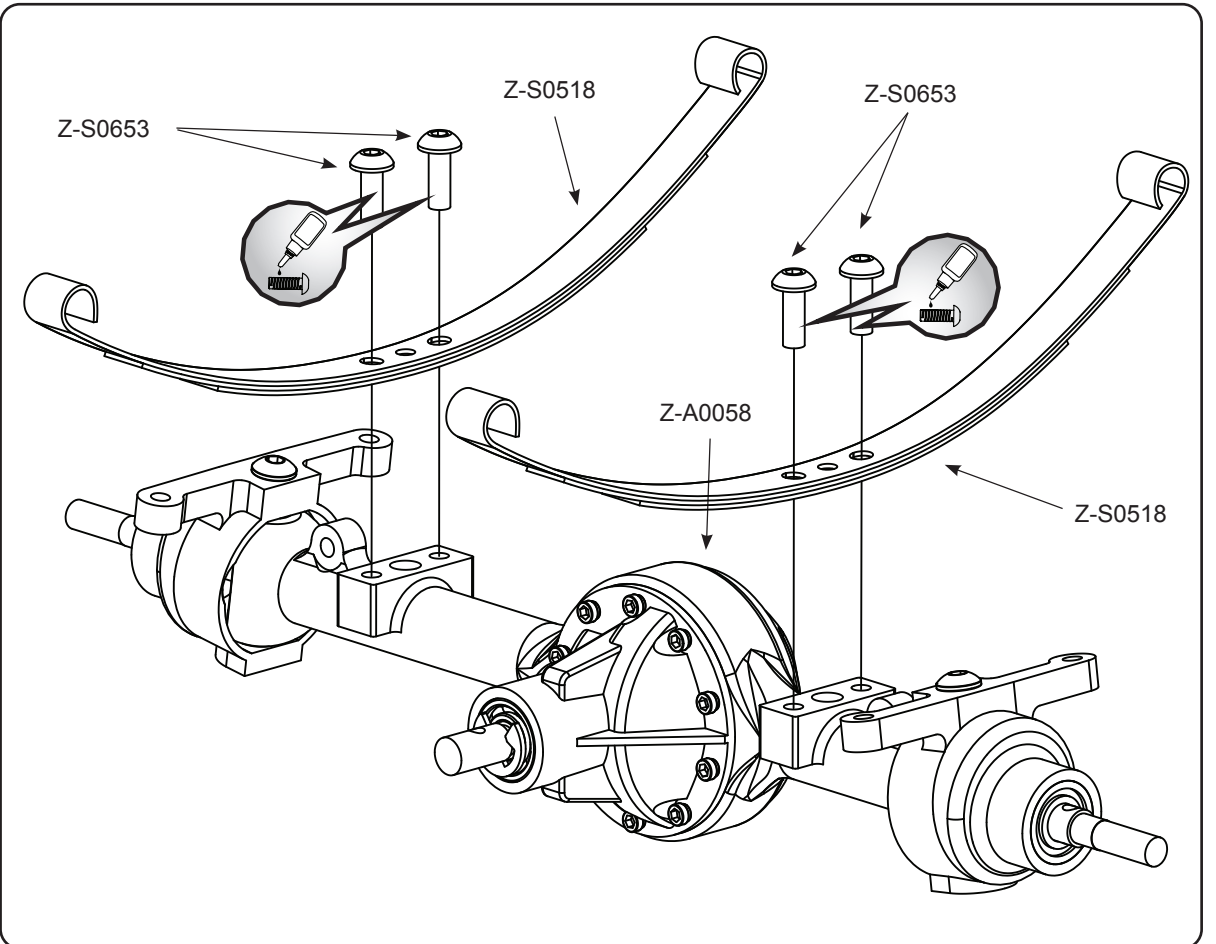
 X2
Z-S0649
M3 x 8mm FHCS



RC4WD

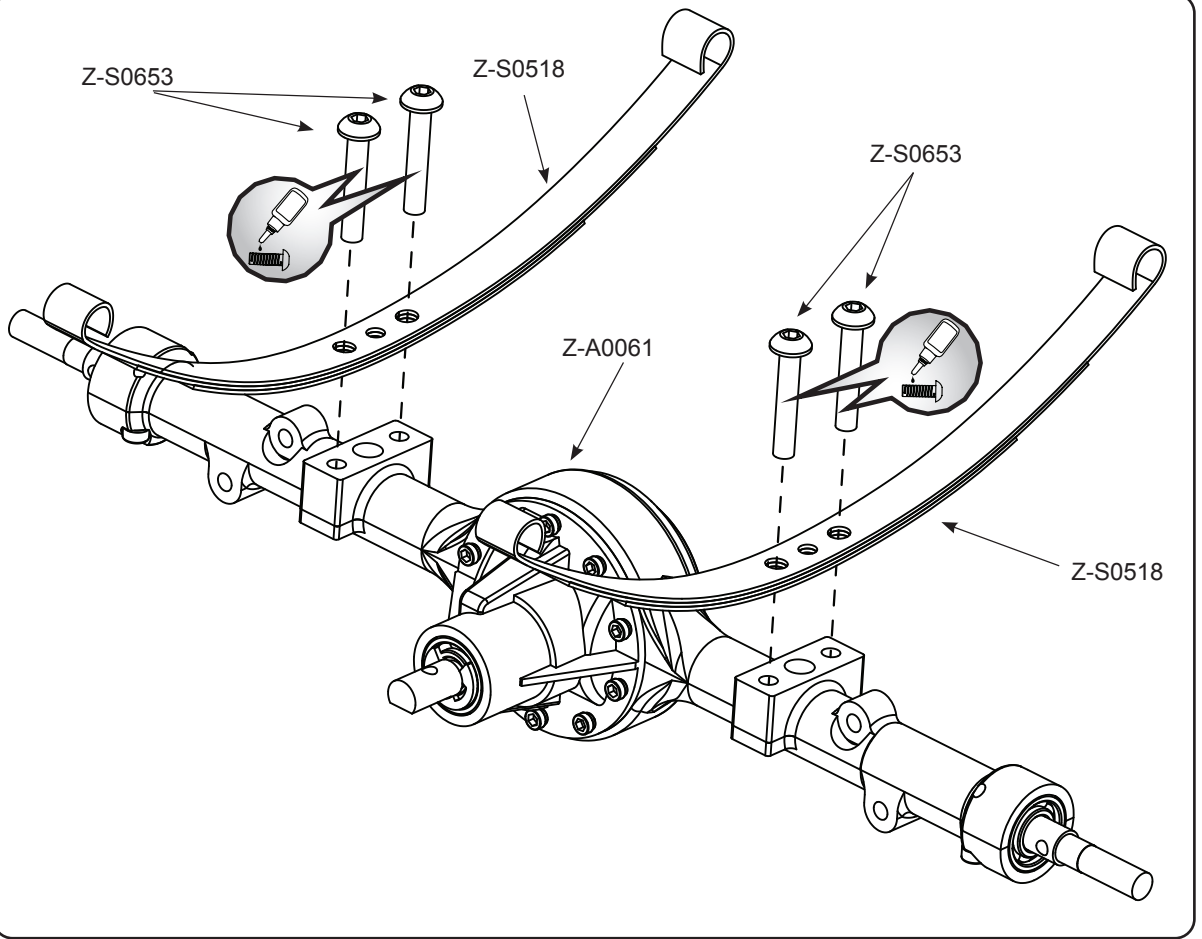
Step 14

 X4
Z-S0653
M3 x 10mm BHCS



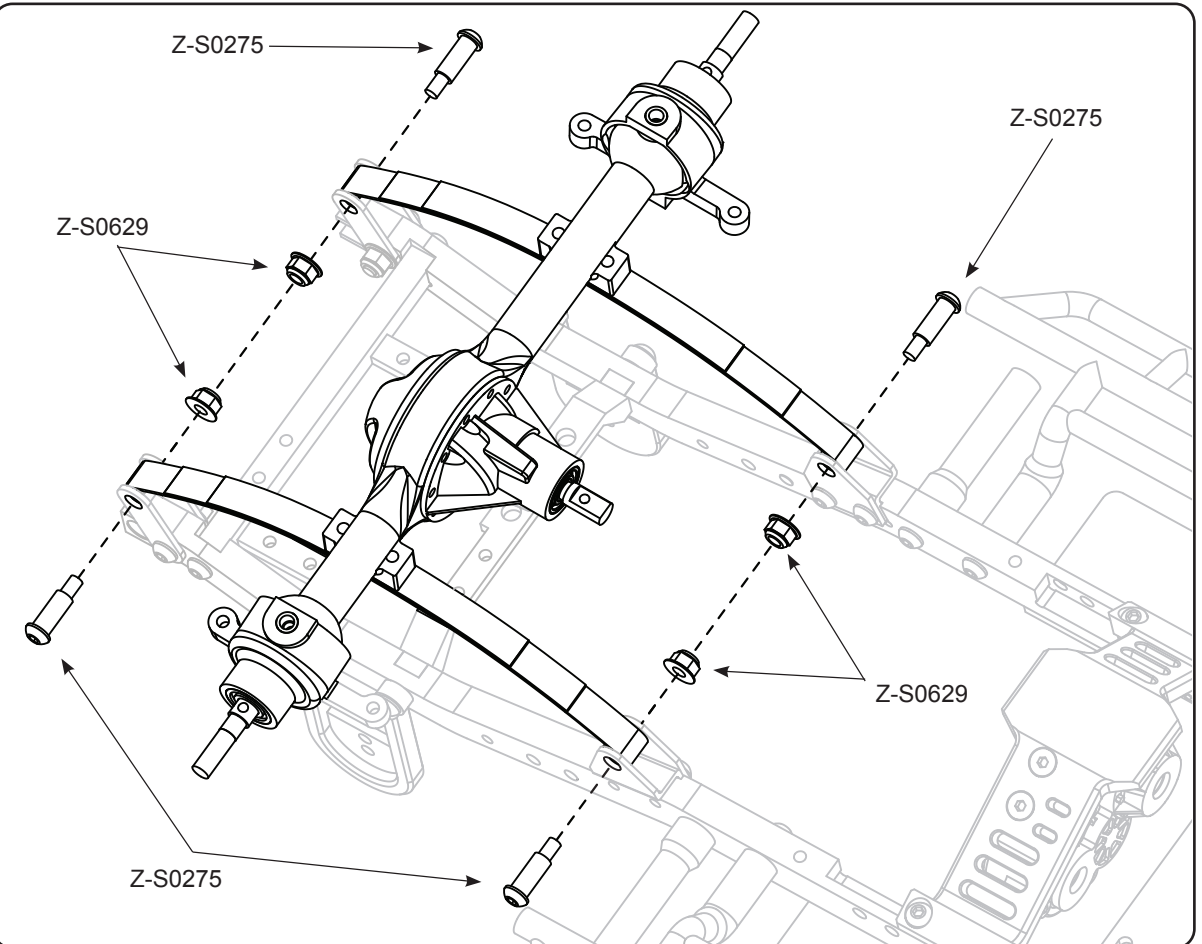
R4WD
Step 15

- X4
Z-S0653
M3 x 10mm BHCS




R4WD
Step 16

- X4
Z-S0275
M3 x 15mm
Shoulder Screw
- X4
Z-S0629
M3 Black Lock Nut



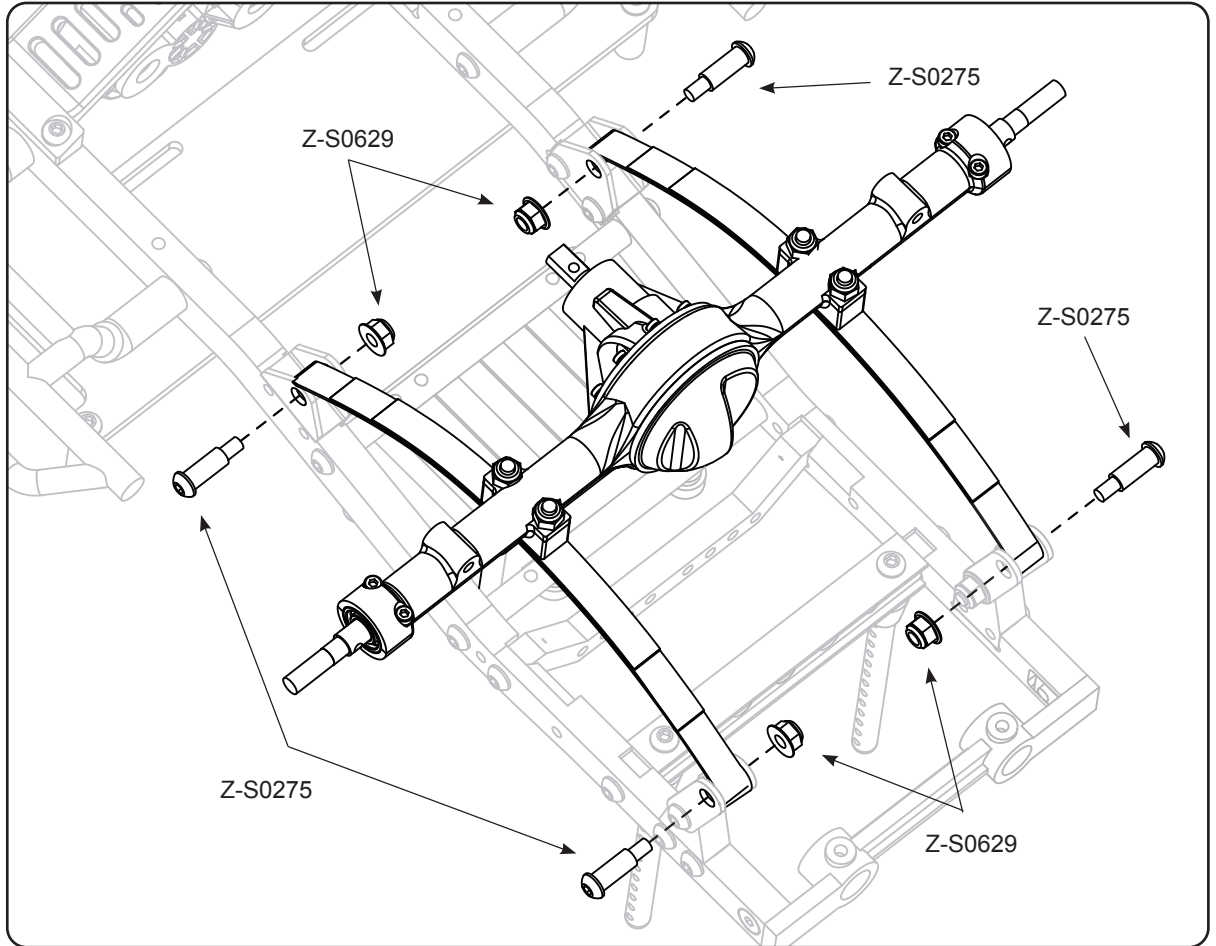
RC4WD
Step 17

 X4

Z-S0275
M3 x 15mm
Shoulder Screw

 X4

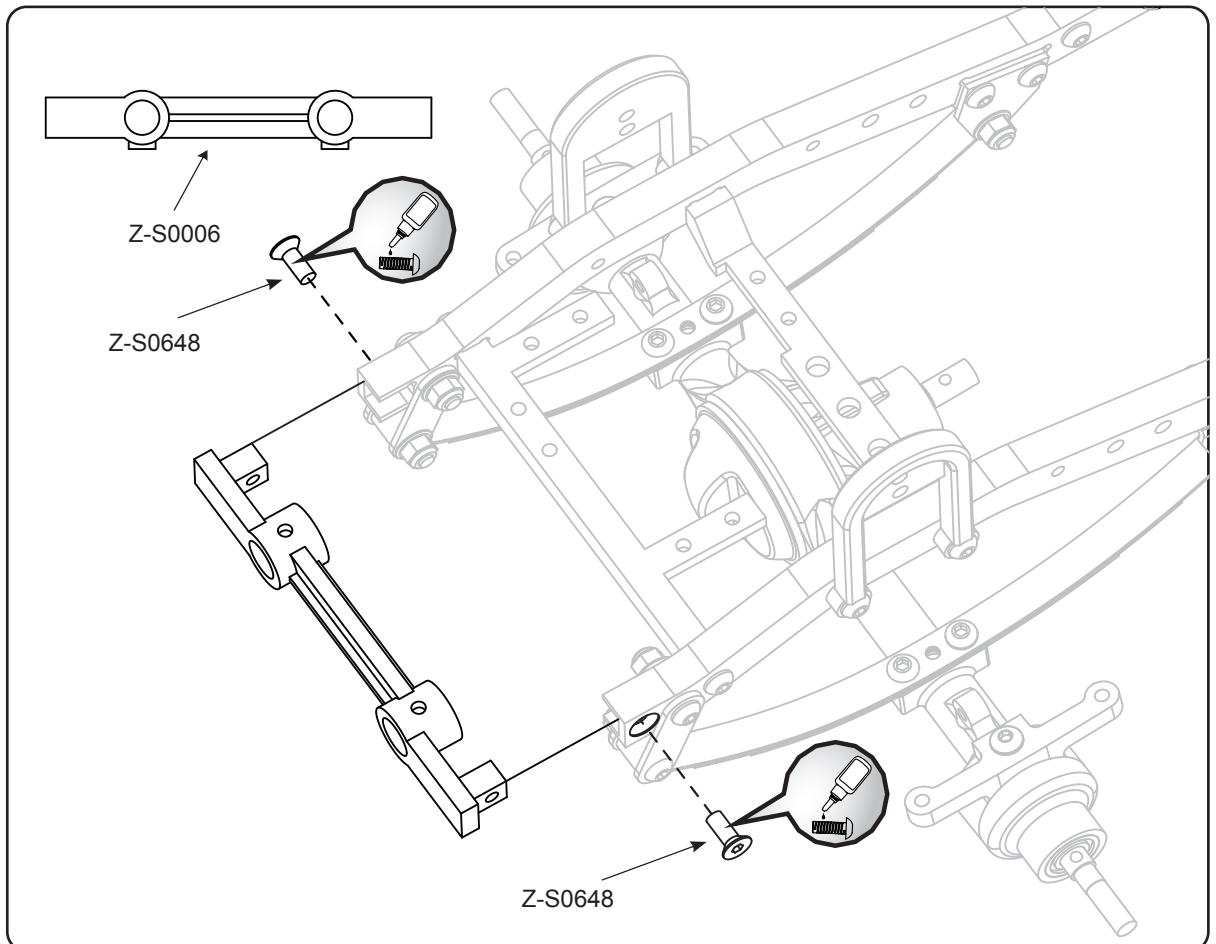
Z-S0629
M3 Black Lock Nut




RC4WD
Step 18

 X2

Z-S0648
M3 x 6mm FHCS



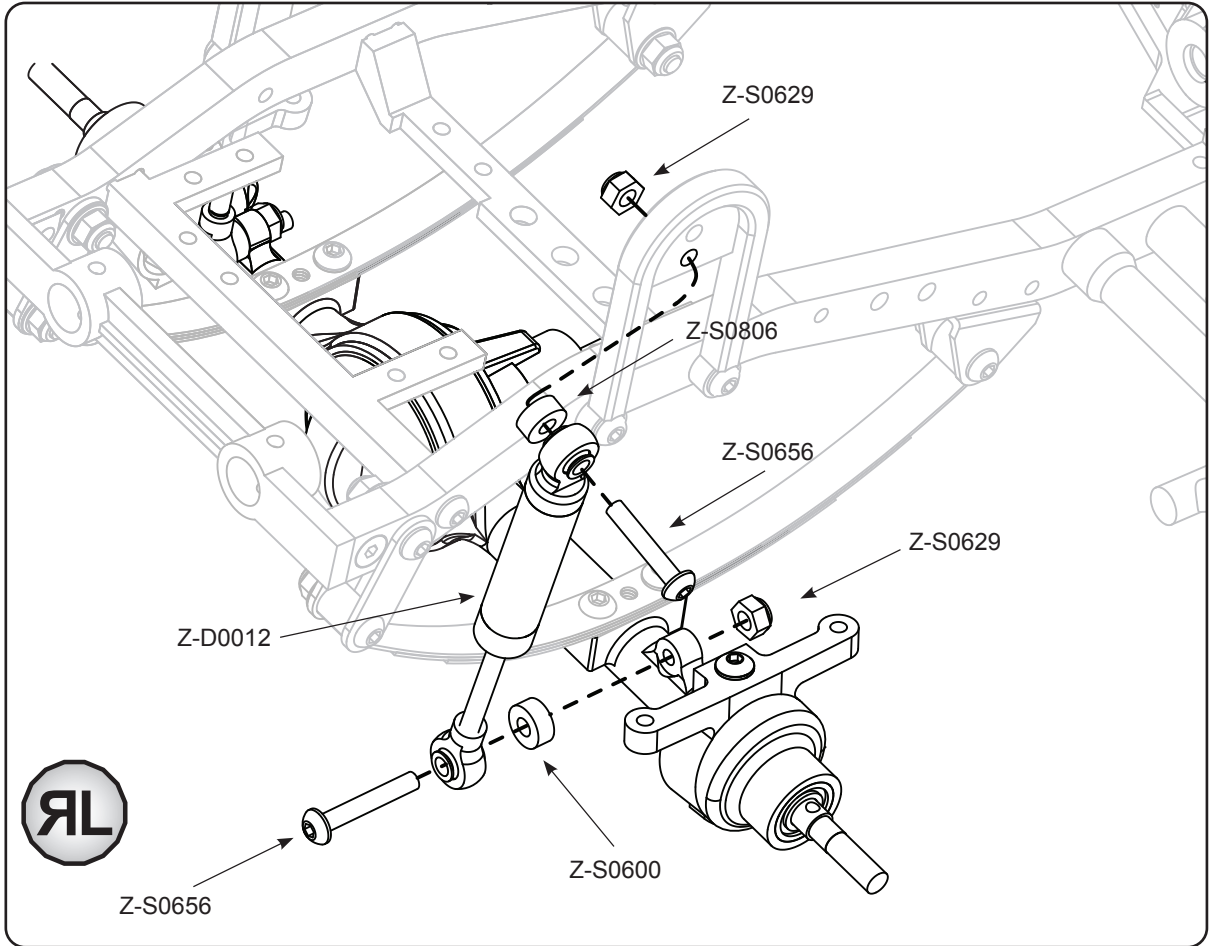
RC4WD
Step 19

 X4
Z-S0656
M3 x 16mm BHCS


 X4
Z-S0629
M3 Black Lock Nut


 X2
Z-S0806
M3 X 3mm Spacer

 X2
Z-S0600
M3 X 2mm Spacer



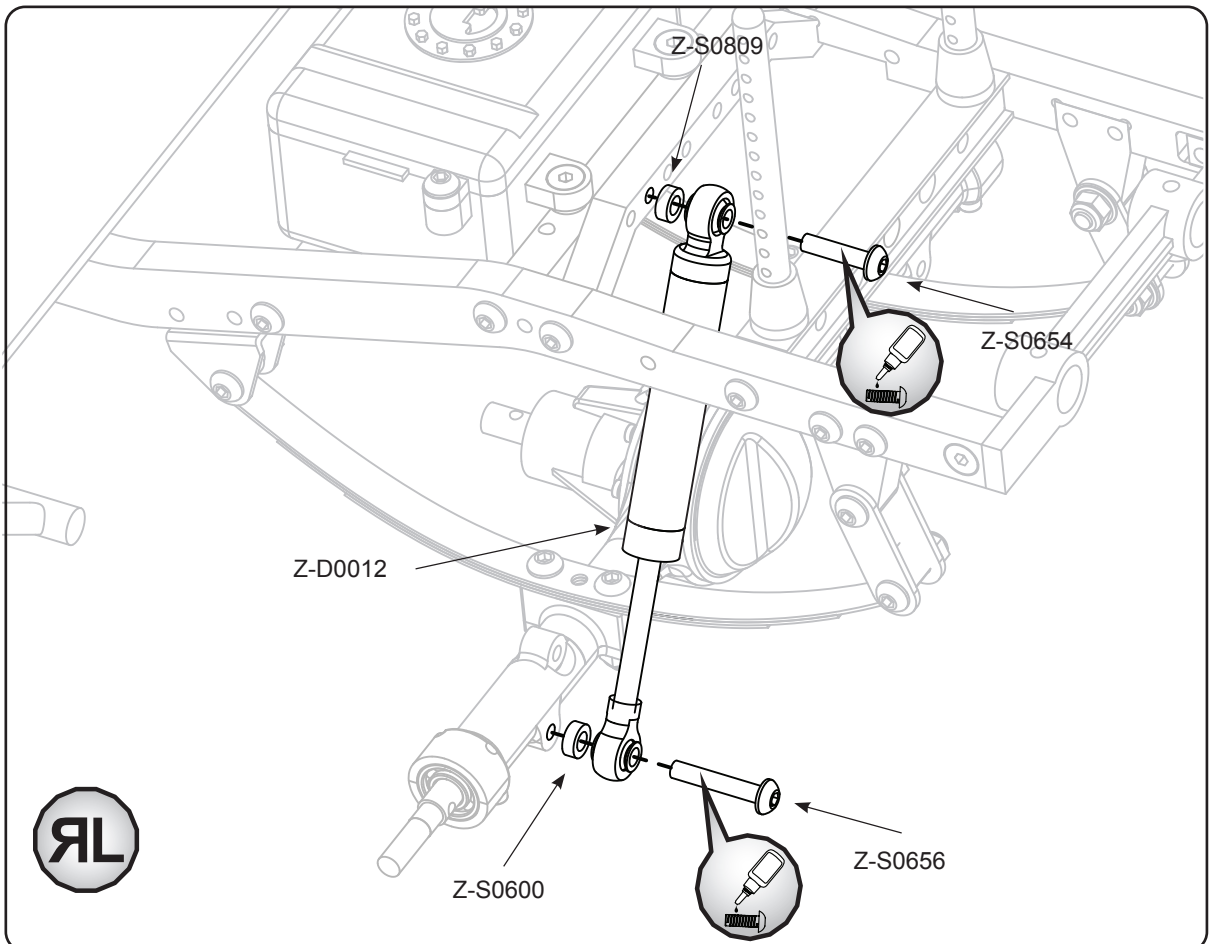
RC4WD
Step 20

 X2
Z-S0654
M3 x 12mm BHCS

 X2
Z-S0656
M3 x 16mm BHCS

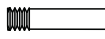
 X2
Z-S0600
M3 X 2mm Spacer

 X2
Z-S0809
M3 X 1mm Spacer

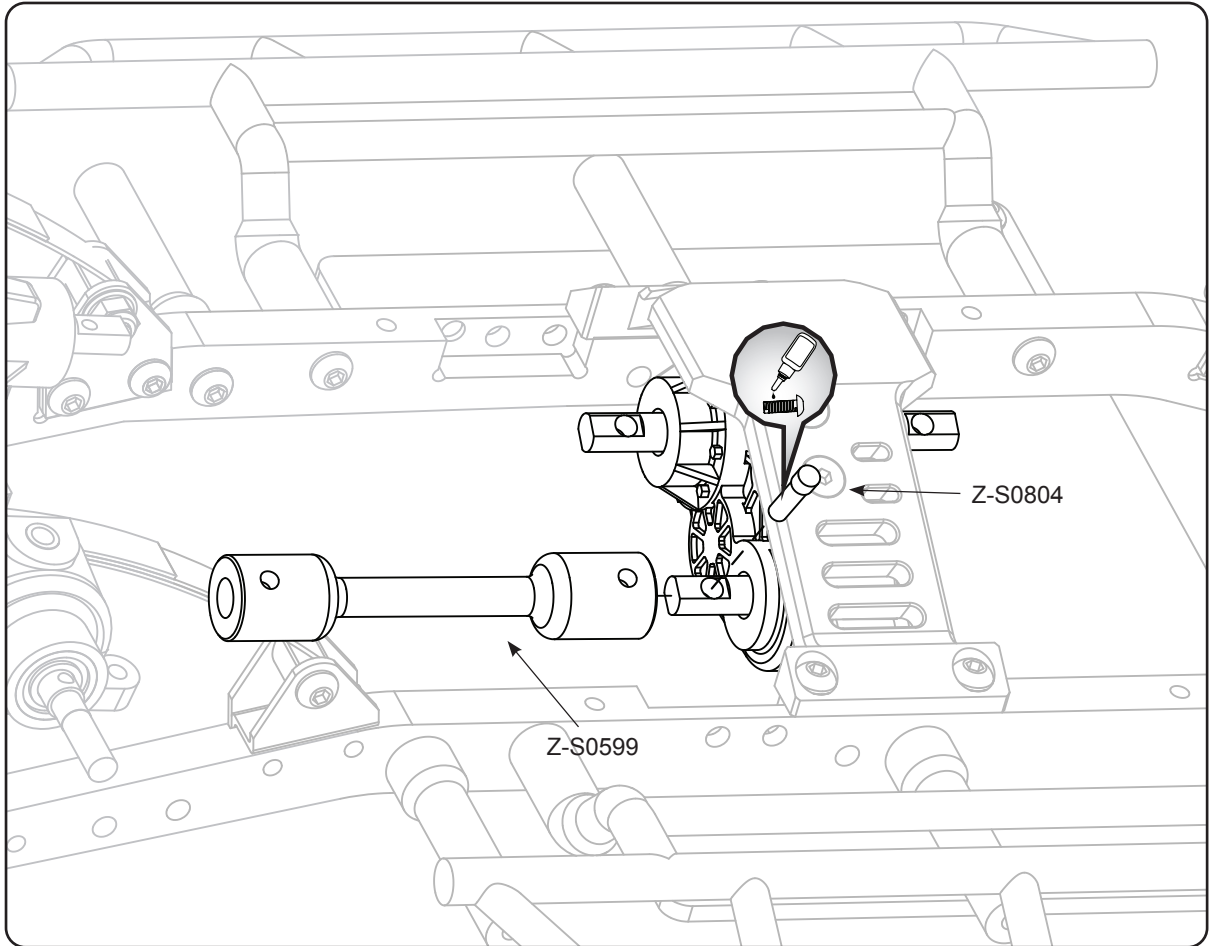


R4WD

Step 21

 X1

Z-S0804
M3 Drive
Shaft Pin



R4WD

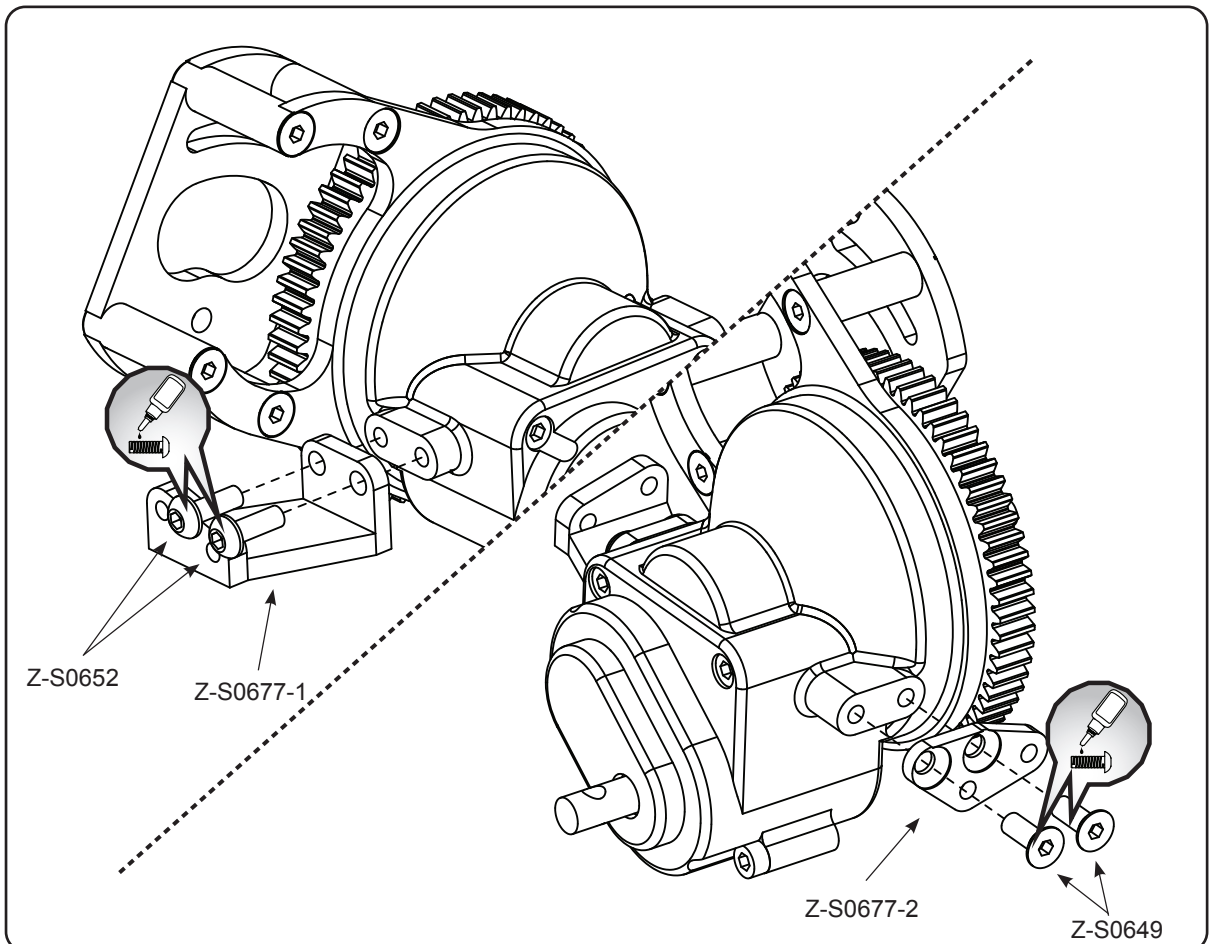
Step 22

 X2


Z-S0652
M3 x 8mm BHCS

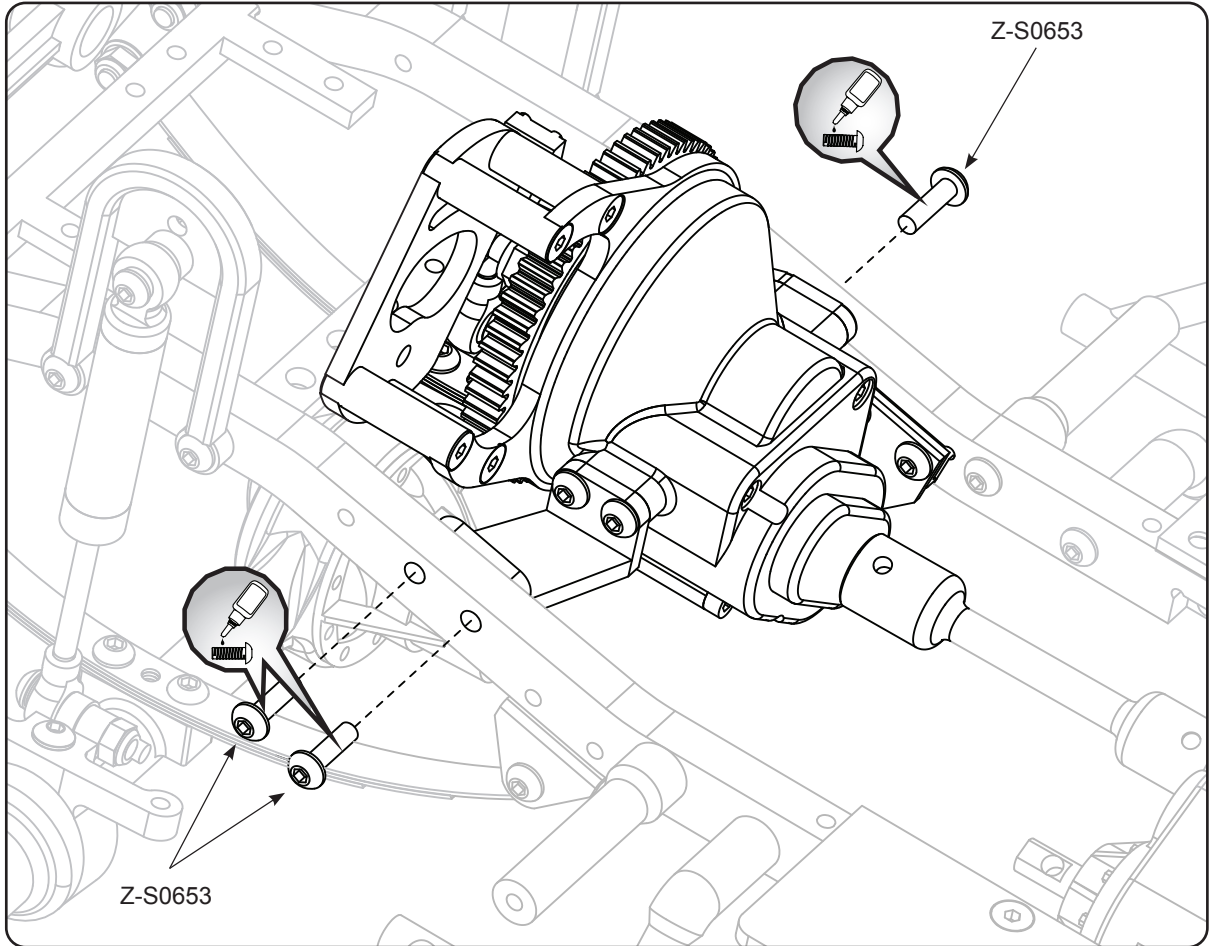
 X2

Z-S0649
M3 x 8mm FHCS

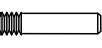


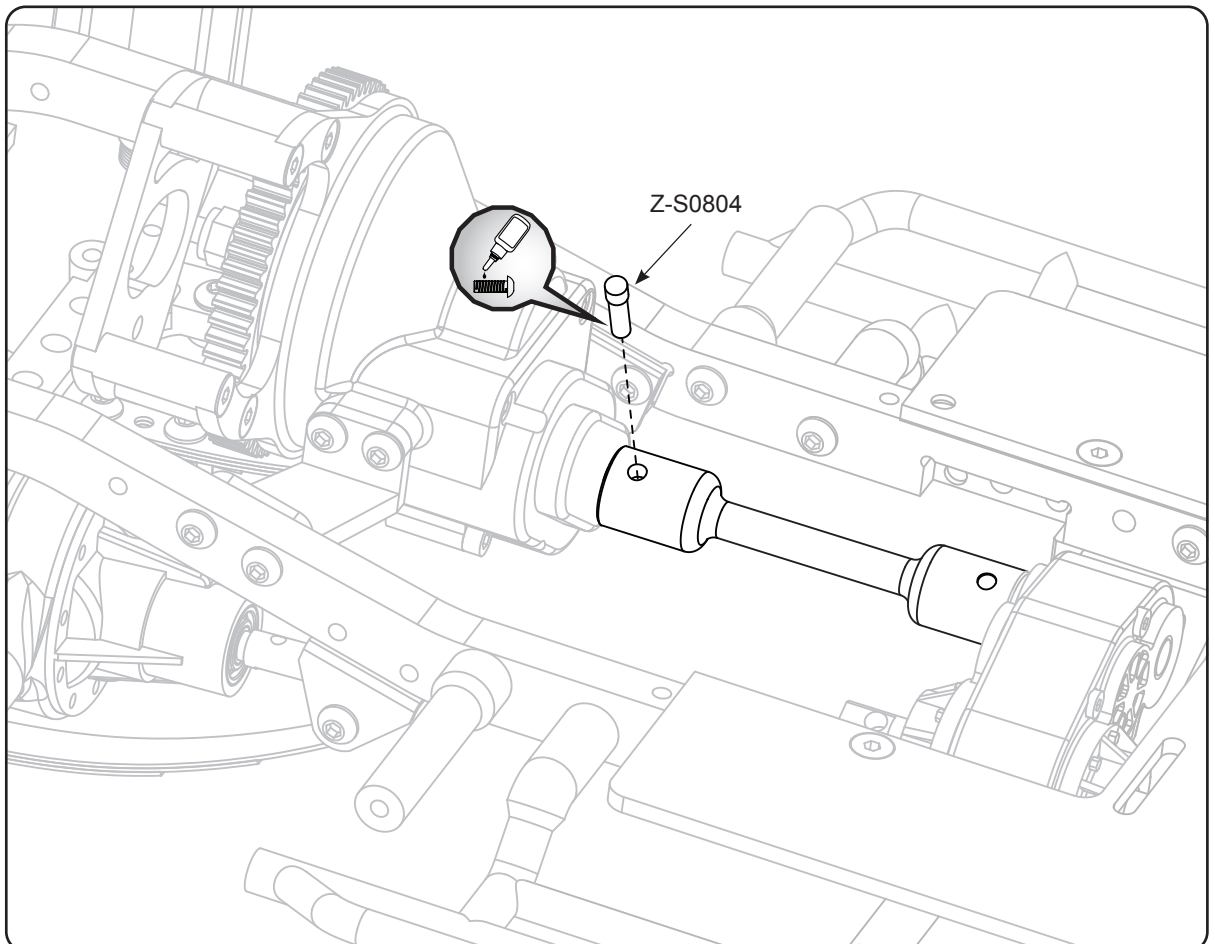
RC4WD
Step 23

 X3
Z-S0653
M3 x 10mm BHCS



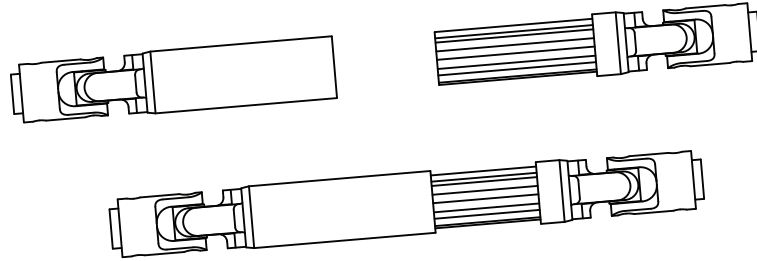
RC4WD
Step 24

 X1
Z-S0804
M3 Drive
Shaft Pin

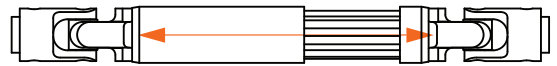


RC4WD
Step 25

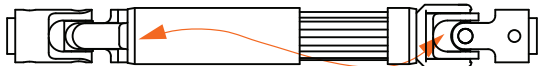
F/R



CORRECT ALIGNMENT

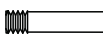


INCORRECT ALIGNMENT

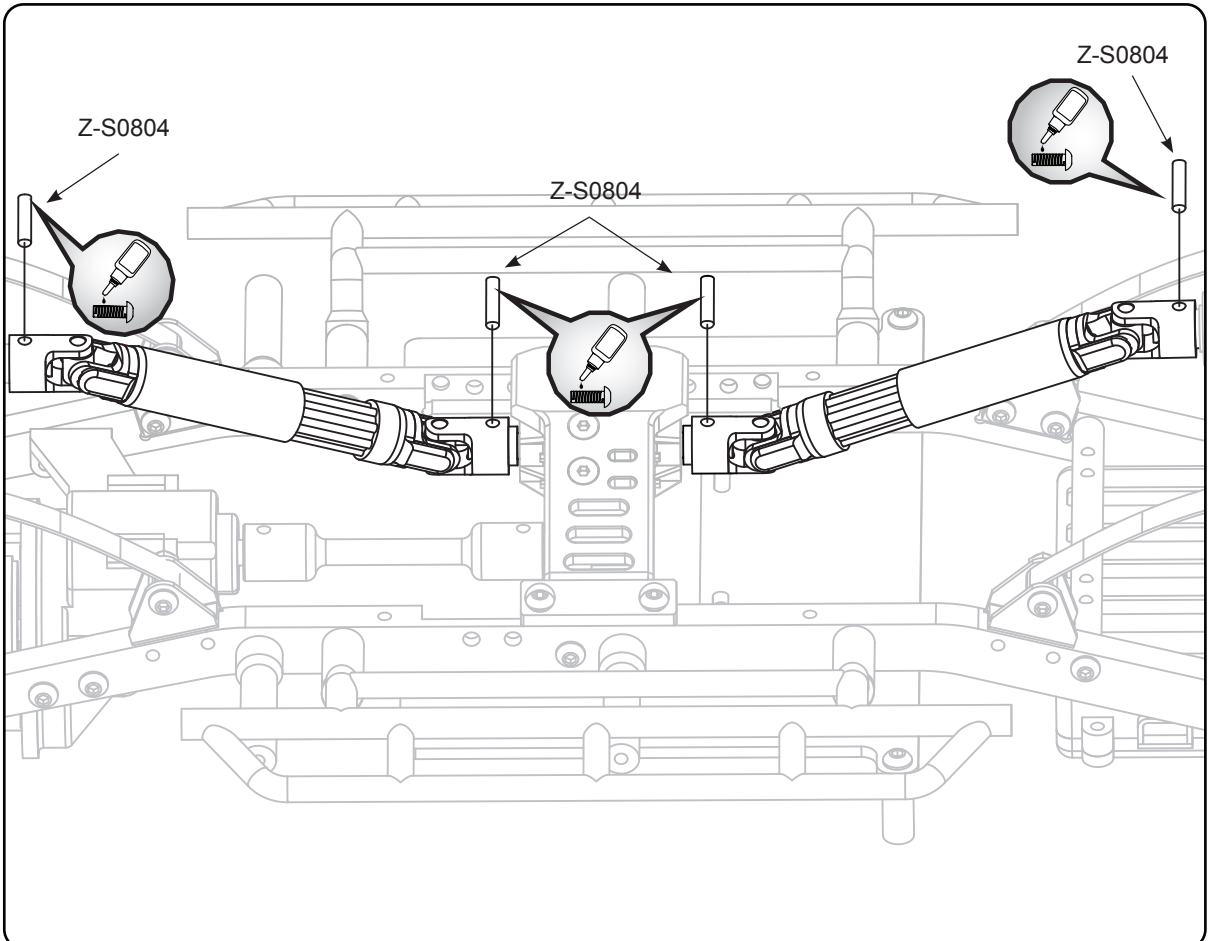


Please check alignment when installing your drive shafts.

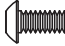

RC4WD
Step 26

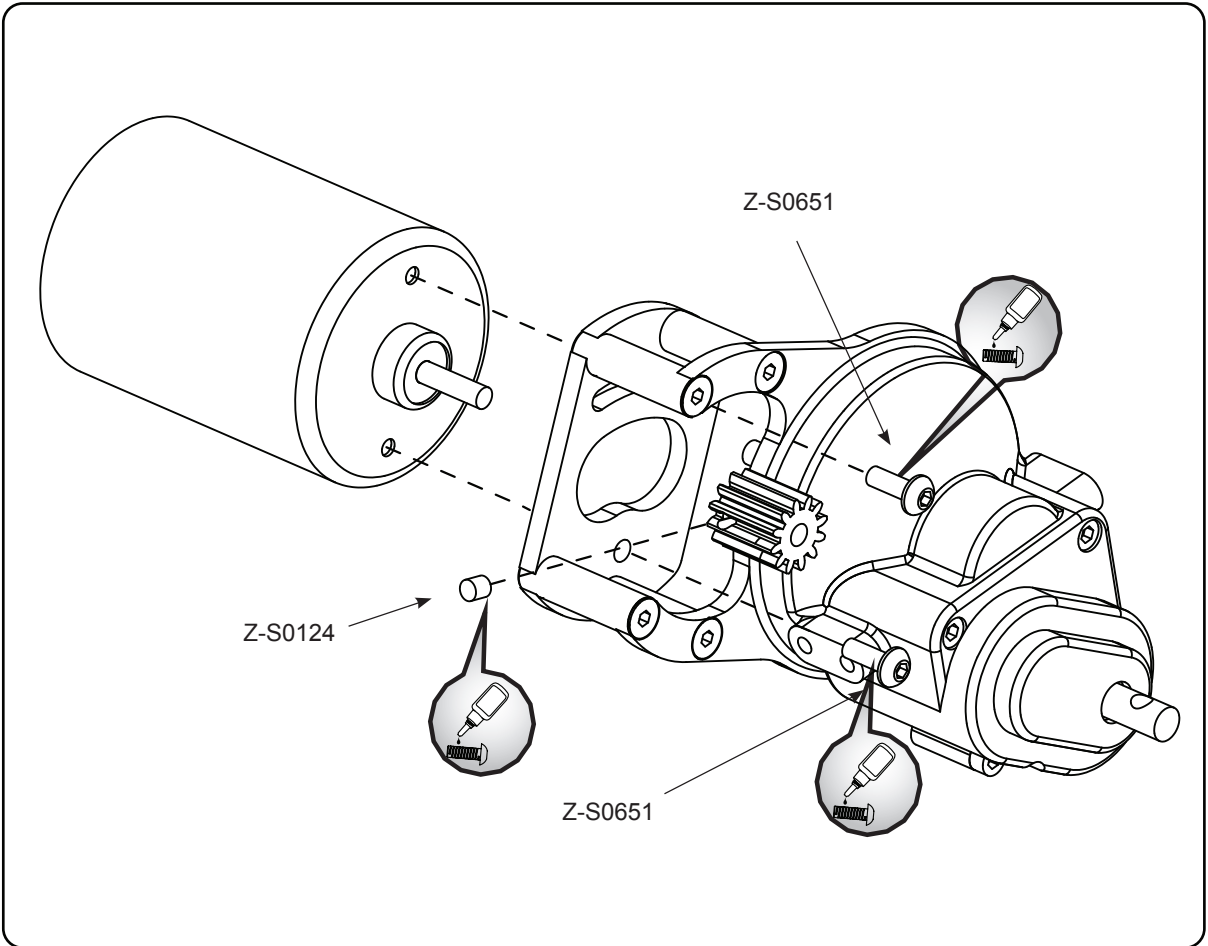
 X4

Z-S0804
M3 Drive
Shaft Pin



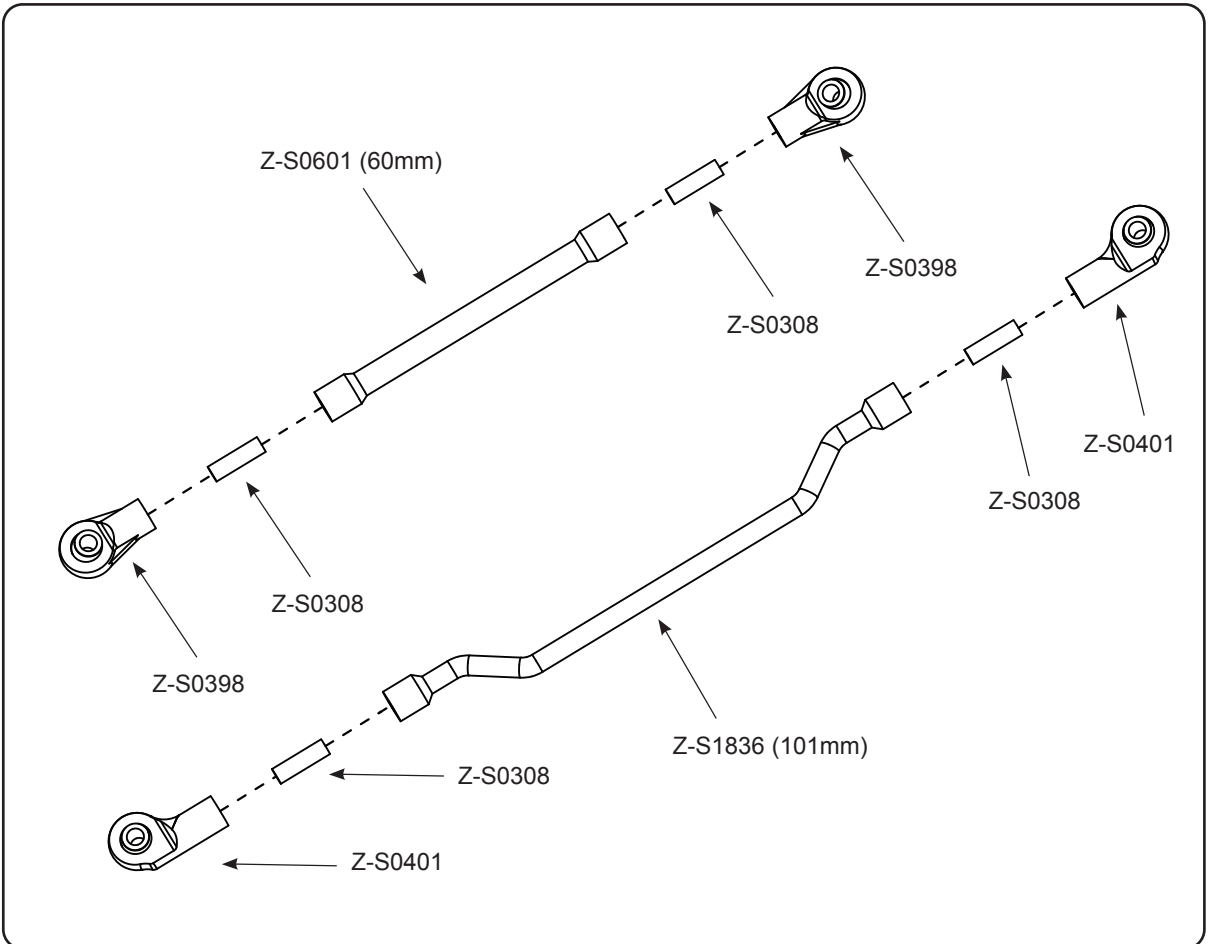
RC4WD
Step 27

-  X2
Z-S0651
M3 x 6mm BHCS
-  X1
Z-S0124
M3 x 3mm
Set Screw



RC4WD
Step 28

-  X4
Z-S0308
M3 x 10mm
Set Screw

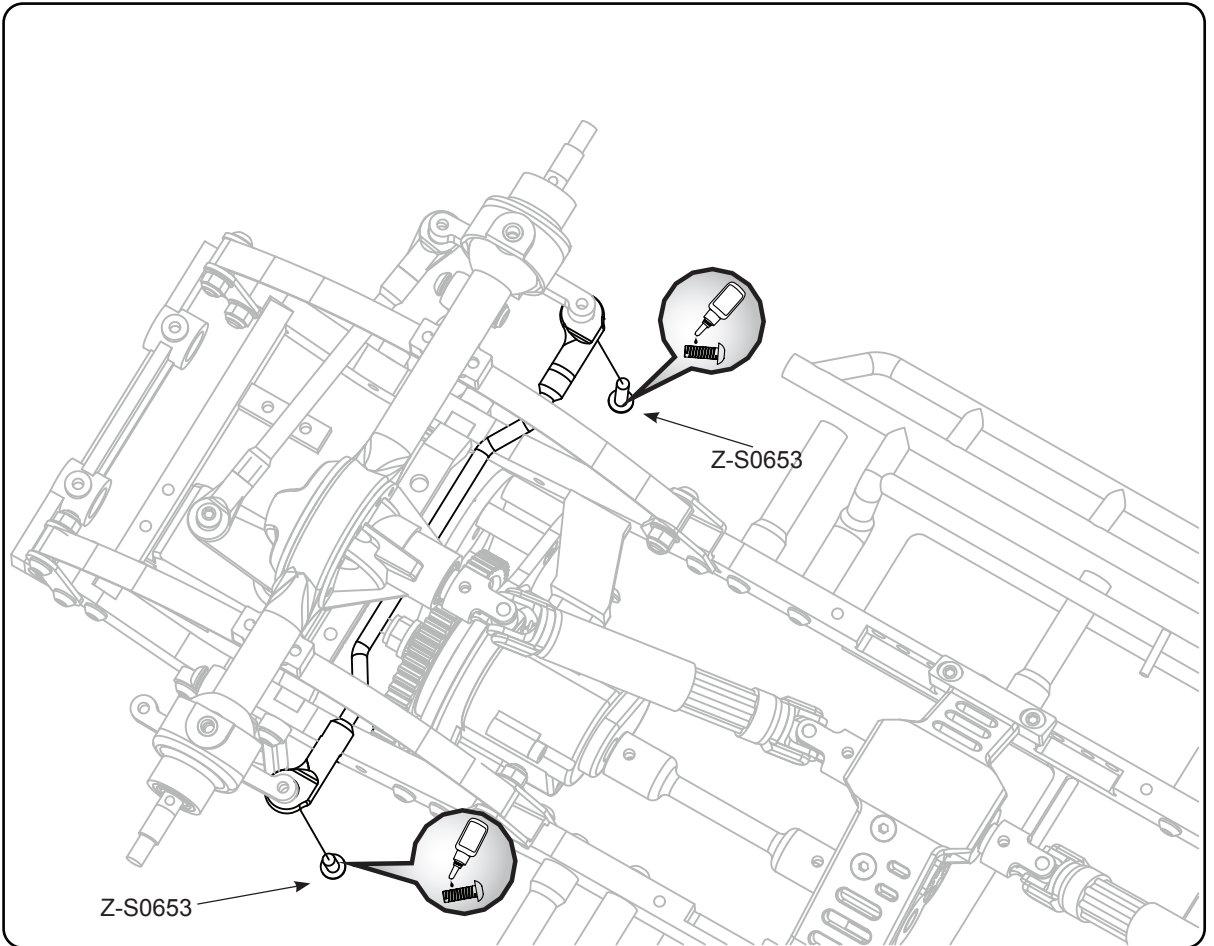


R4WD

Step 29



Z-S0653
M3 x 10mm BHCS

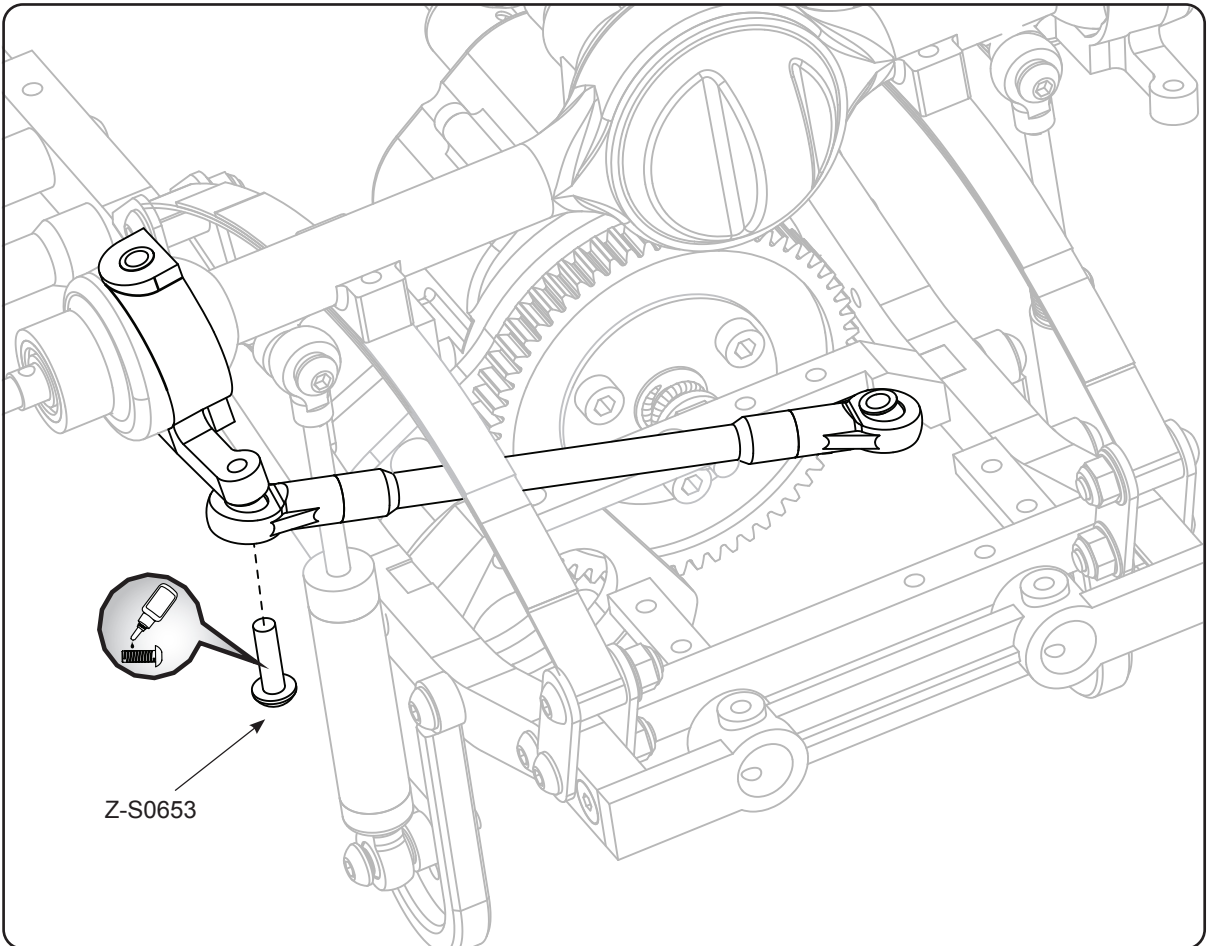


R4WD

Step 30



Z-S0653
M3 x 10mm BHCS



R4WD

Step 31



X1

Z-S0655

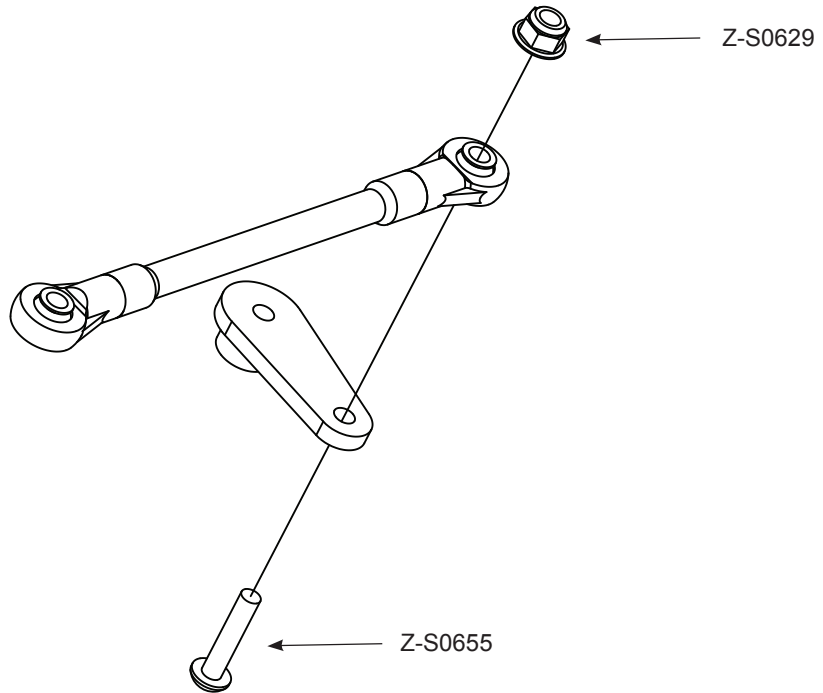
M3 x 14mm BHCS



X1

Z-S0629

M3 Black Lock Nut



R4WD

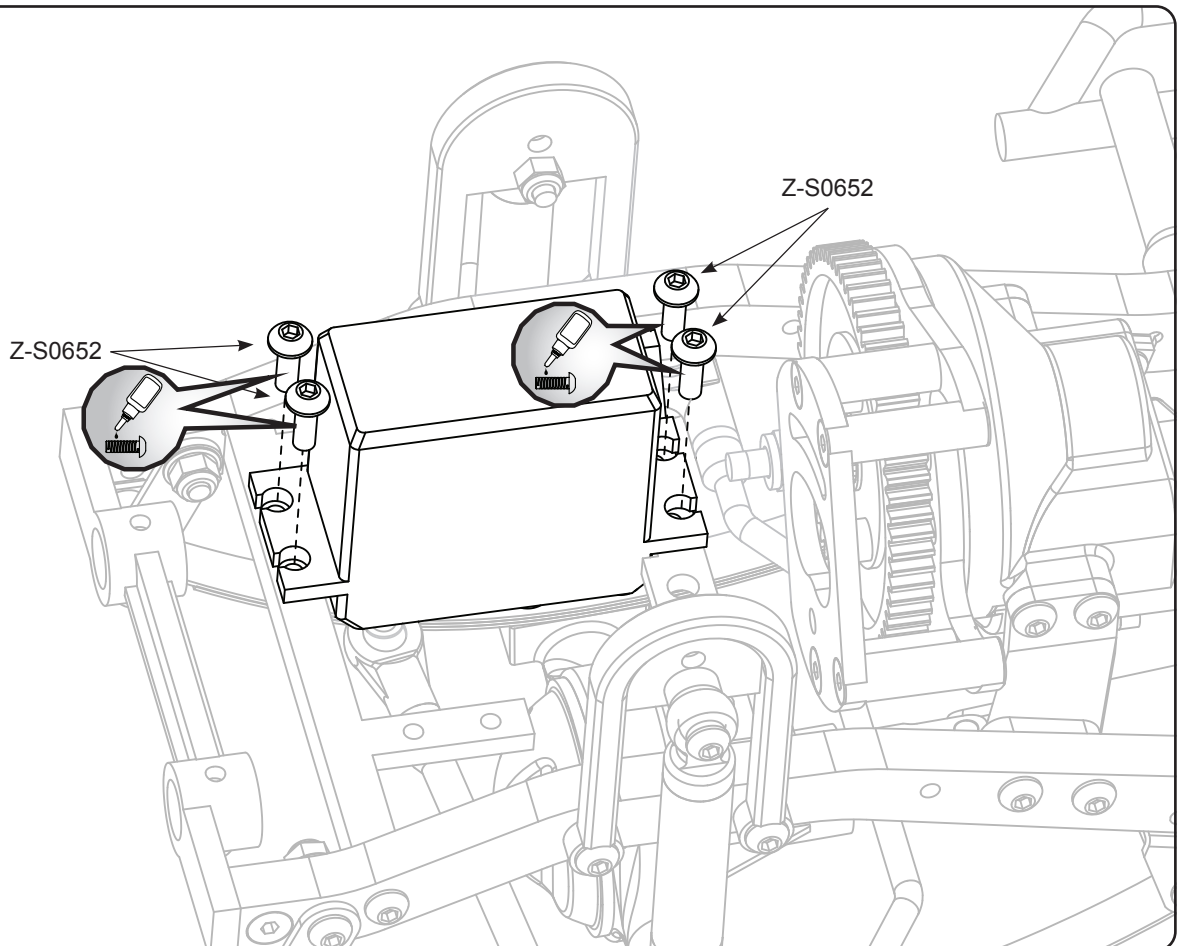
Step 32



X4

Z-S0652

M3 x 8mm BHCS



RC4WD

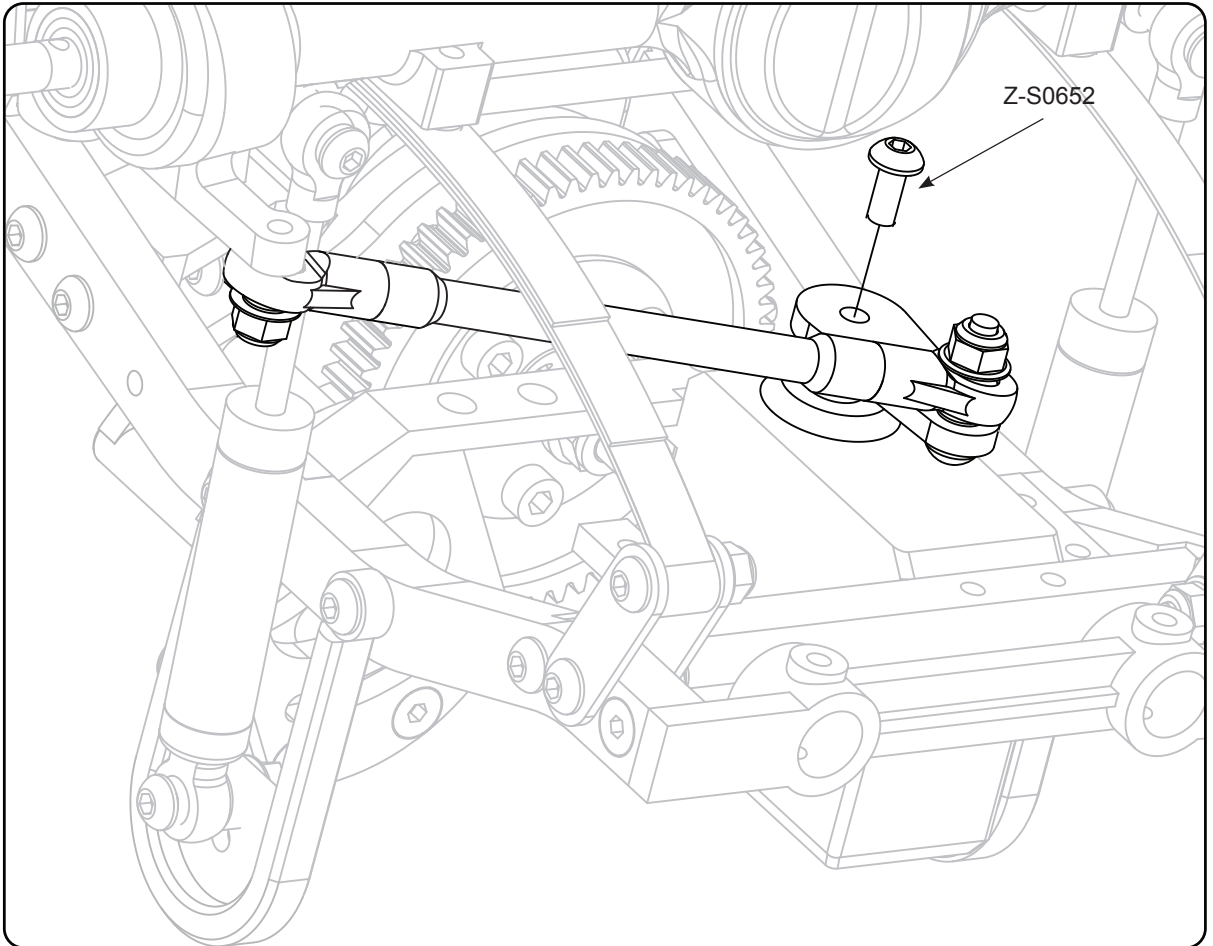
Step 33



X1

Z-S0652

M3 x 8mm BHCS



RC4WD

Step 34

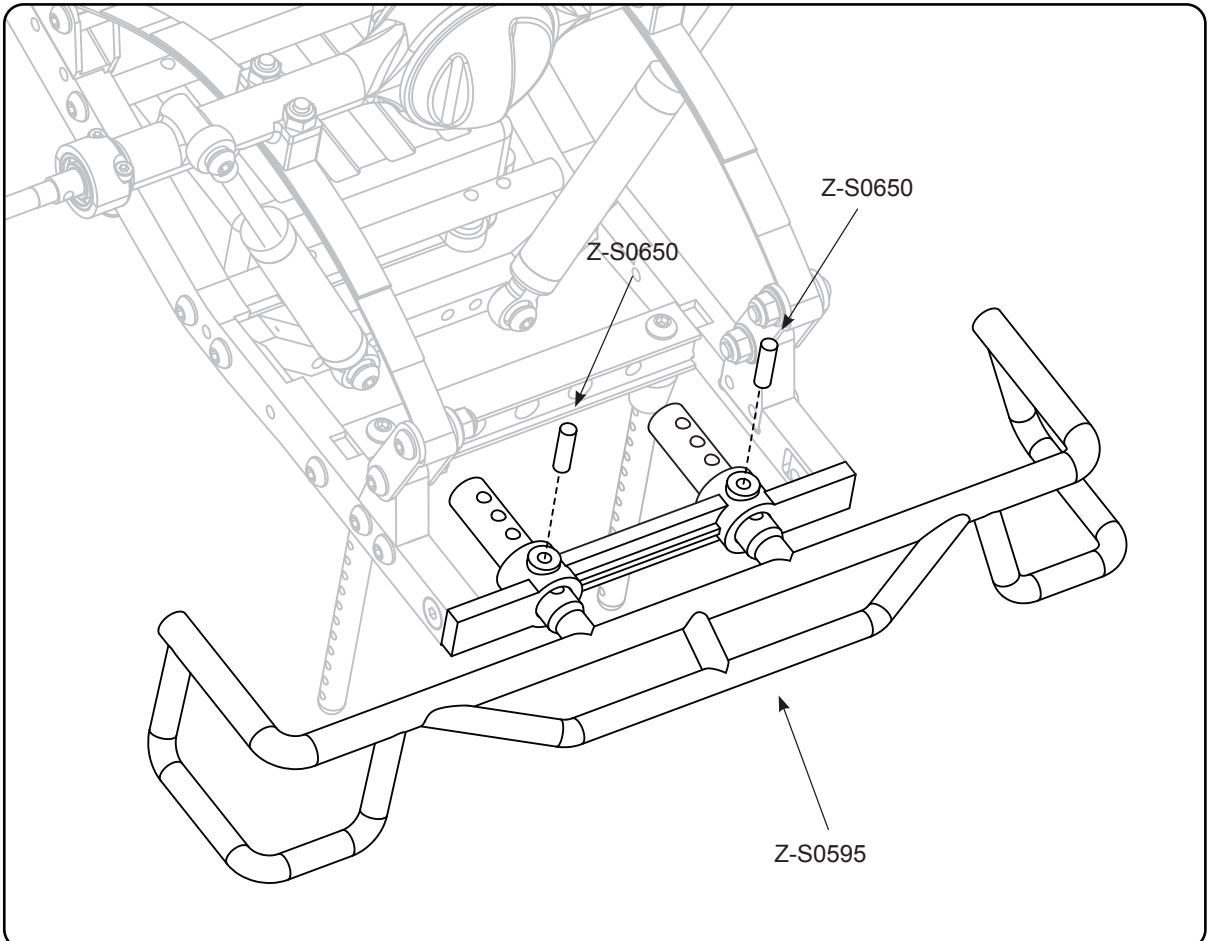


X2

Z-S0650

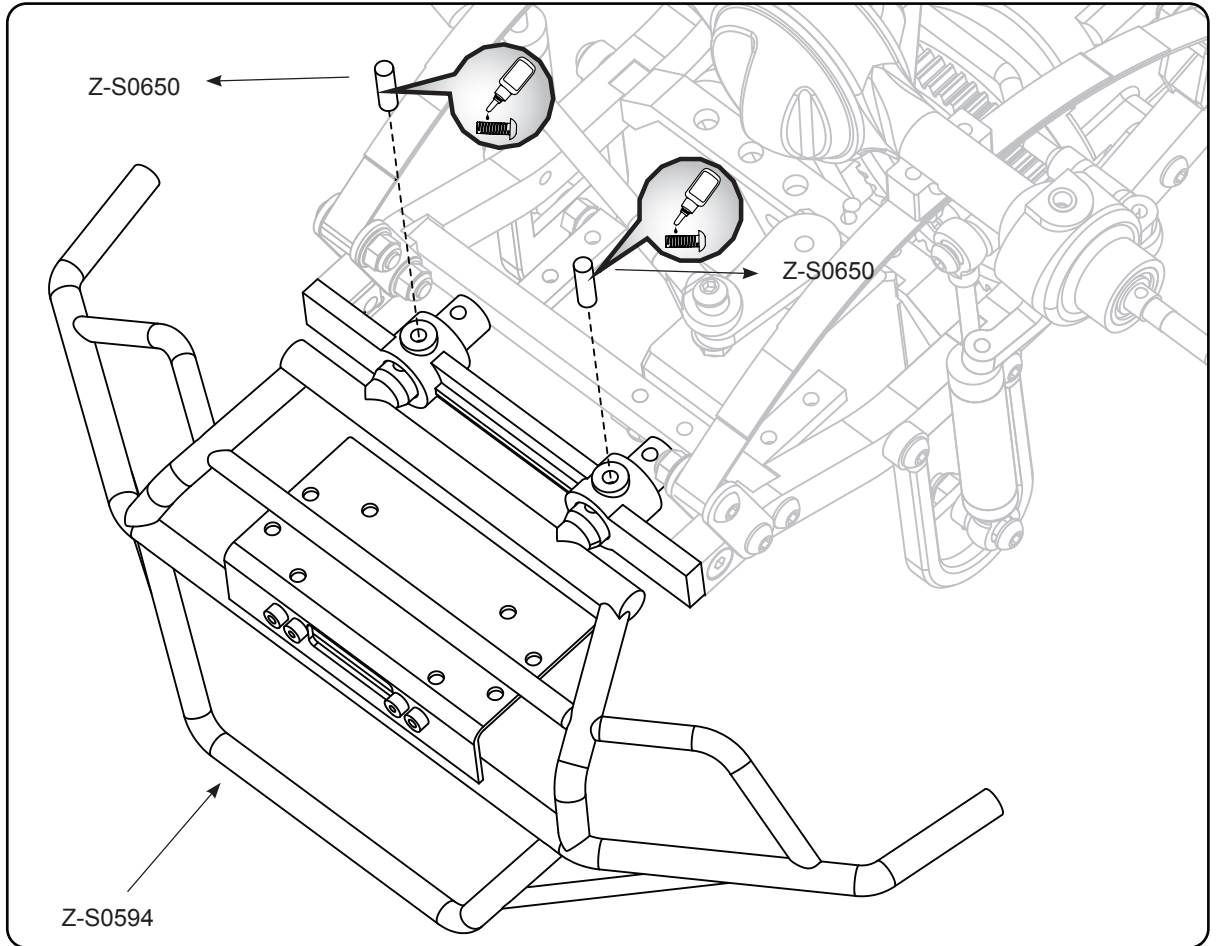
M3 x 15mm

Set Screw



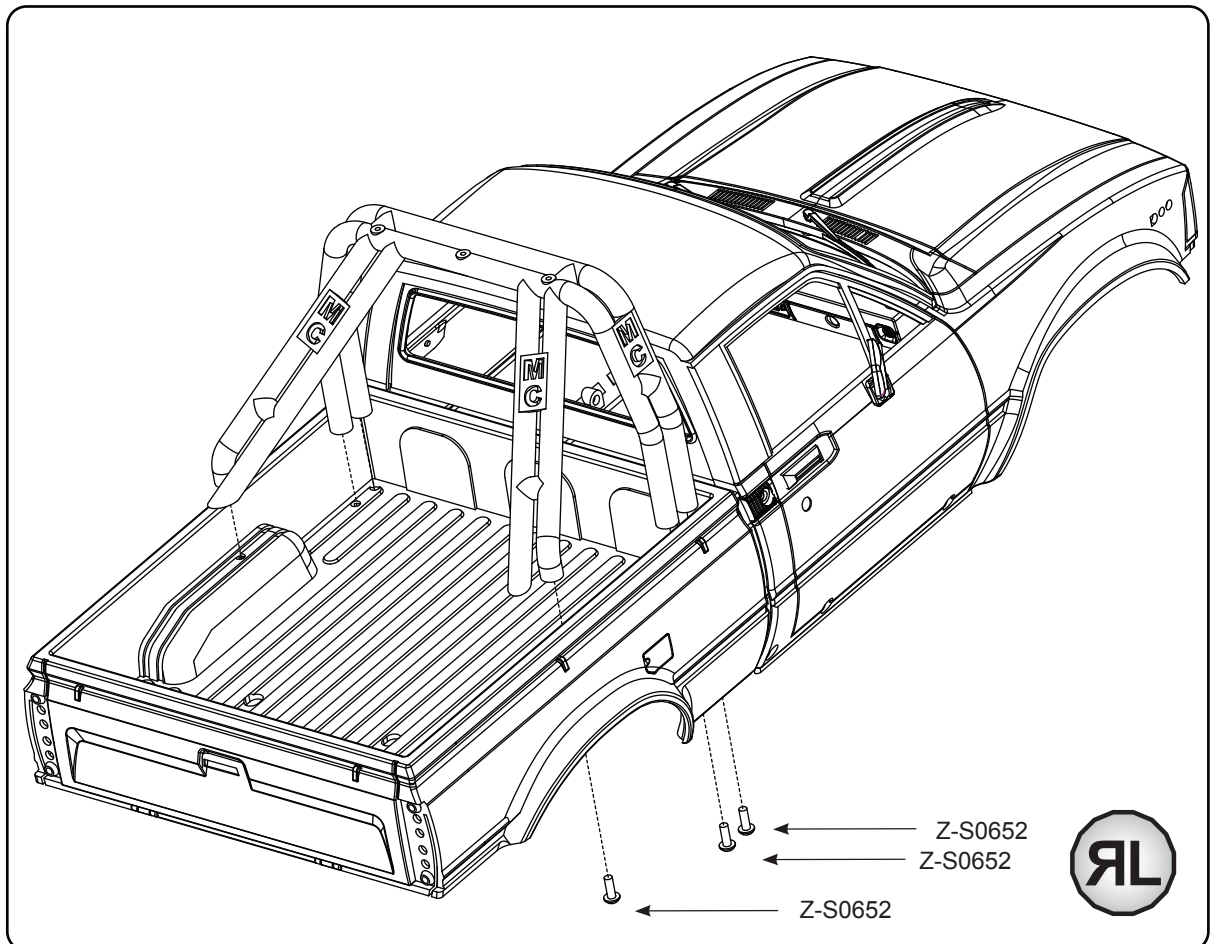
RC4WD
Step 35

 X2
Z-S0650
M3 x 15mm
Set Screw

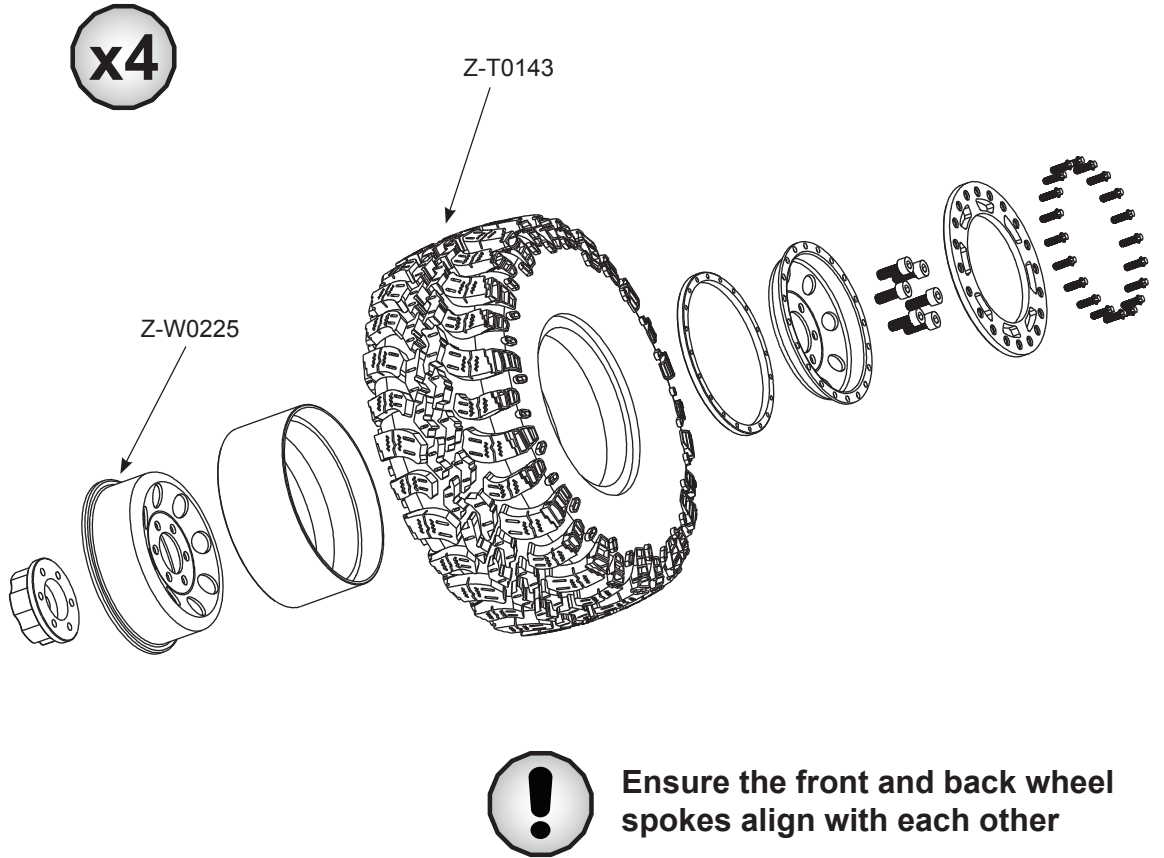


RC4WD
Step 36

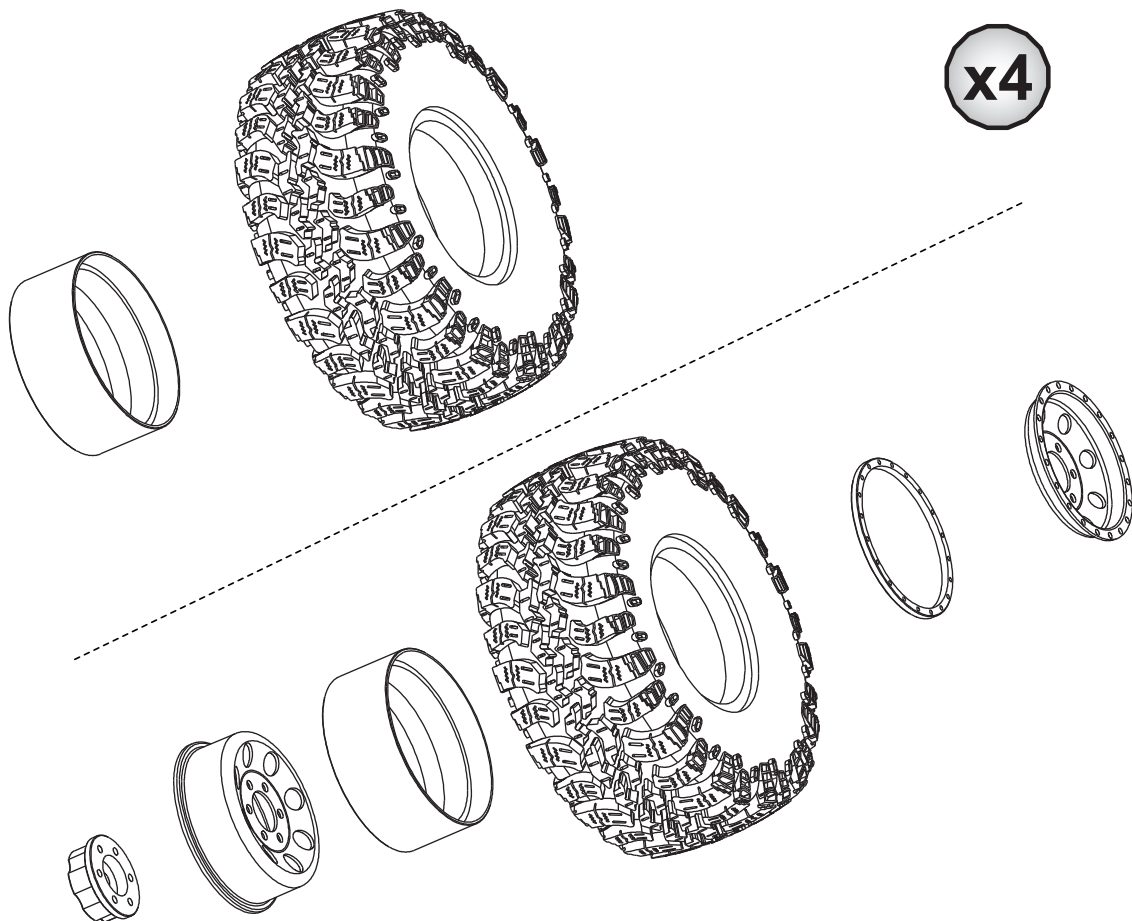
 X6
Z-S0652
M3 x 8mm BHCS



RC4WD
Step 37



RC4WD
Step 38

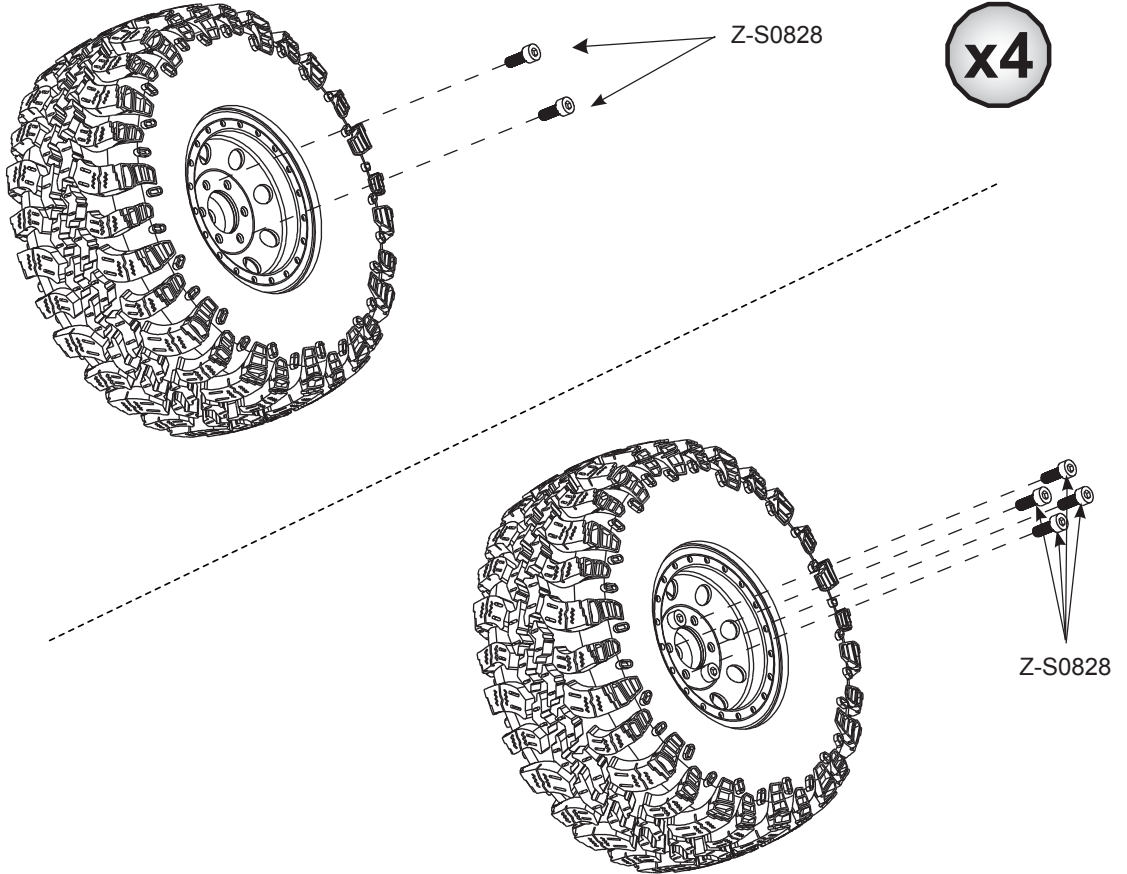


R4WD

Step 39

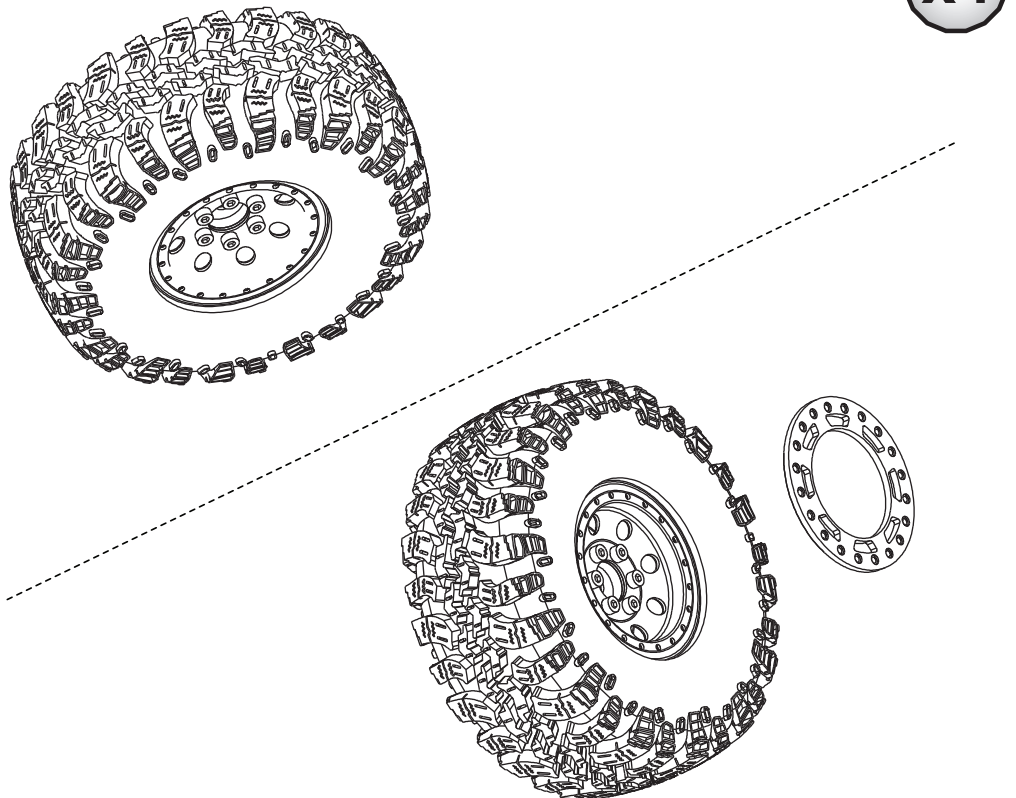
 X24

Z-S0828
M2.5 x 8mm SHCS



R4WD

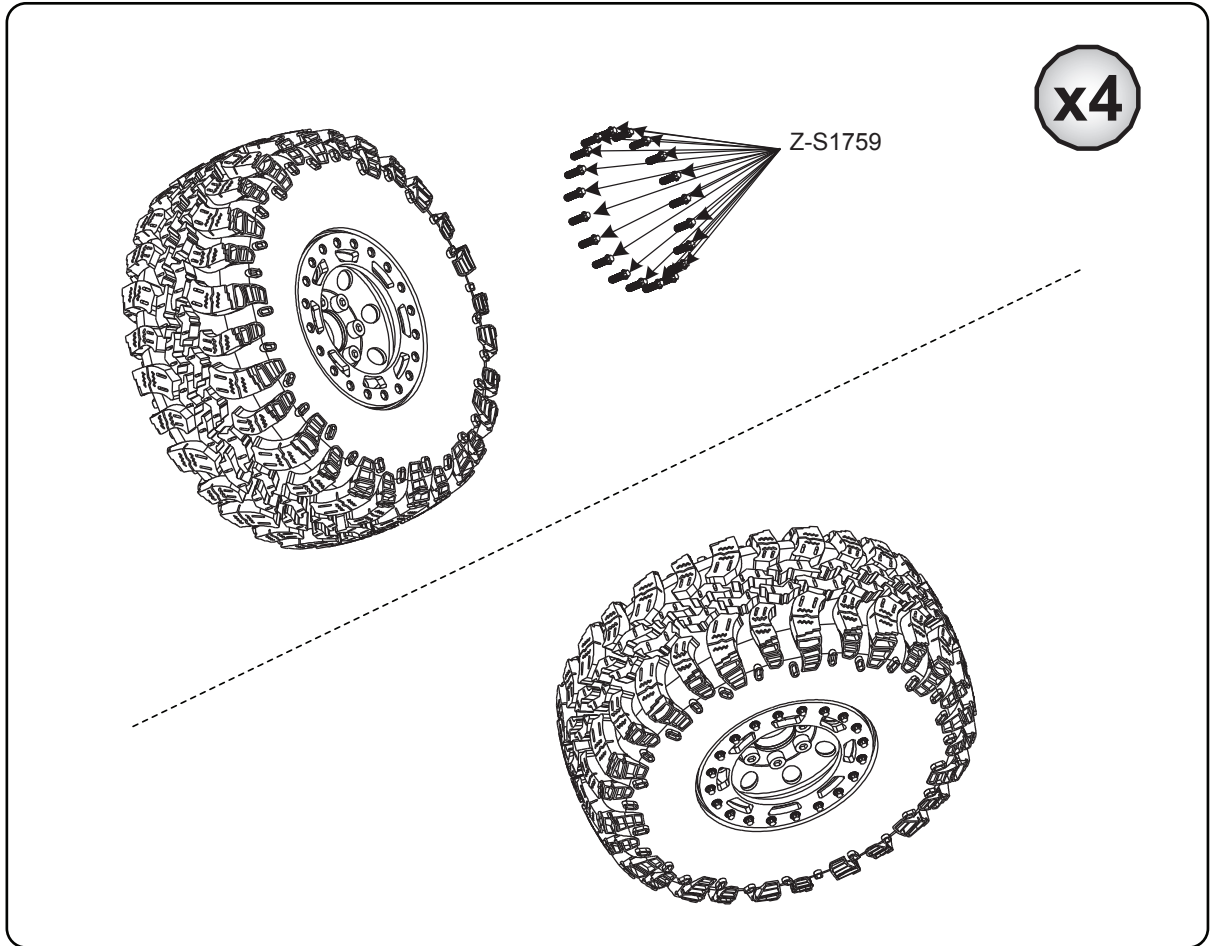
Step 40



R4WD

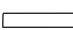

Step 41

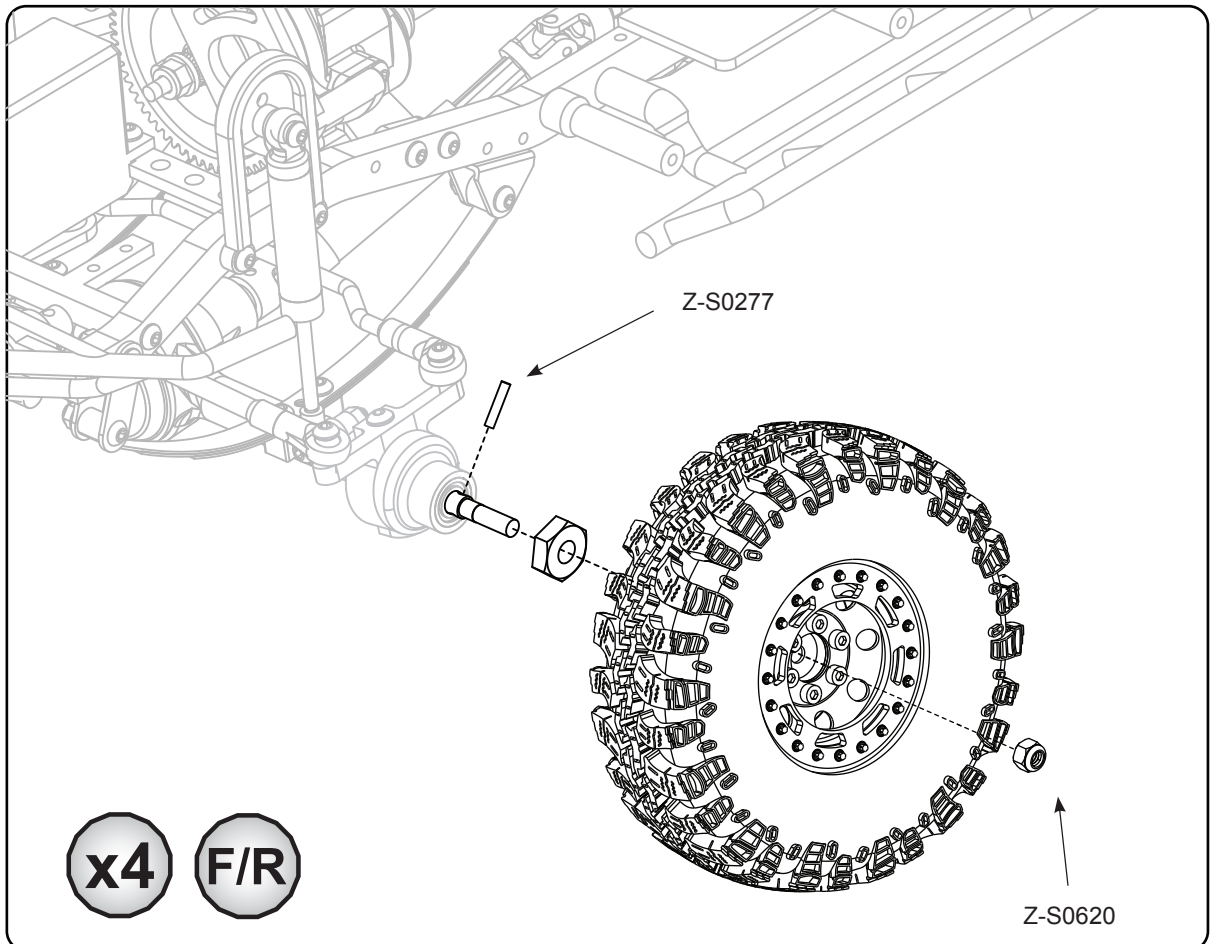
-  X80
- Z-S1759
- M1.6 x 5mm
- Miniature Scale
- Hex Bolts



R4WD

Step 42

-  X4
- Z-S0277
- M2 x 10mm
- Axle Pin
-  X4
- Z-S0620
- M4 Flanged Lock Nut



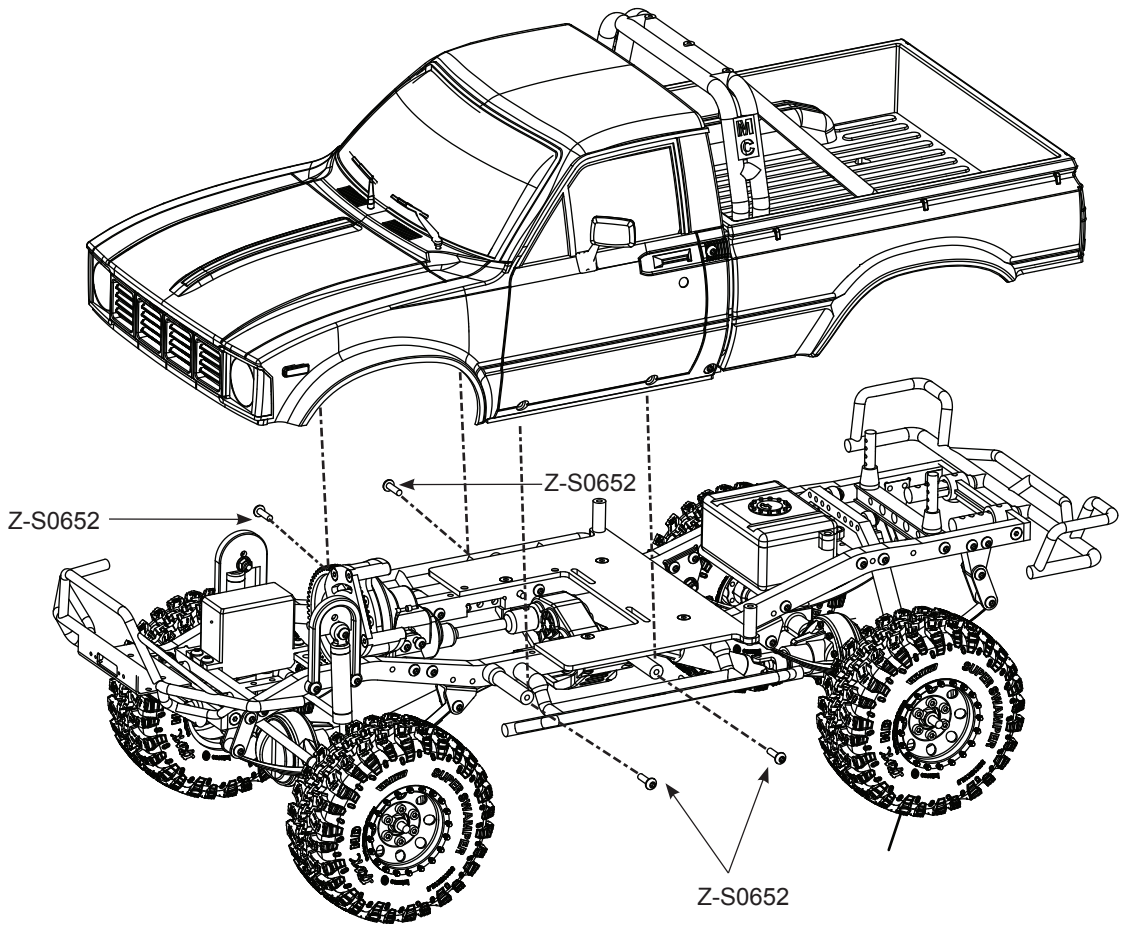
RC4WD

Step 43



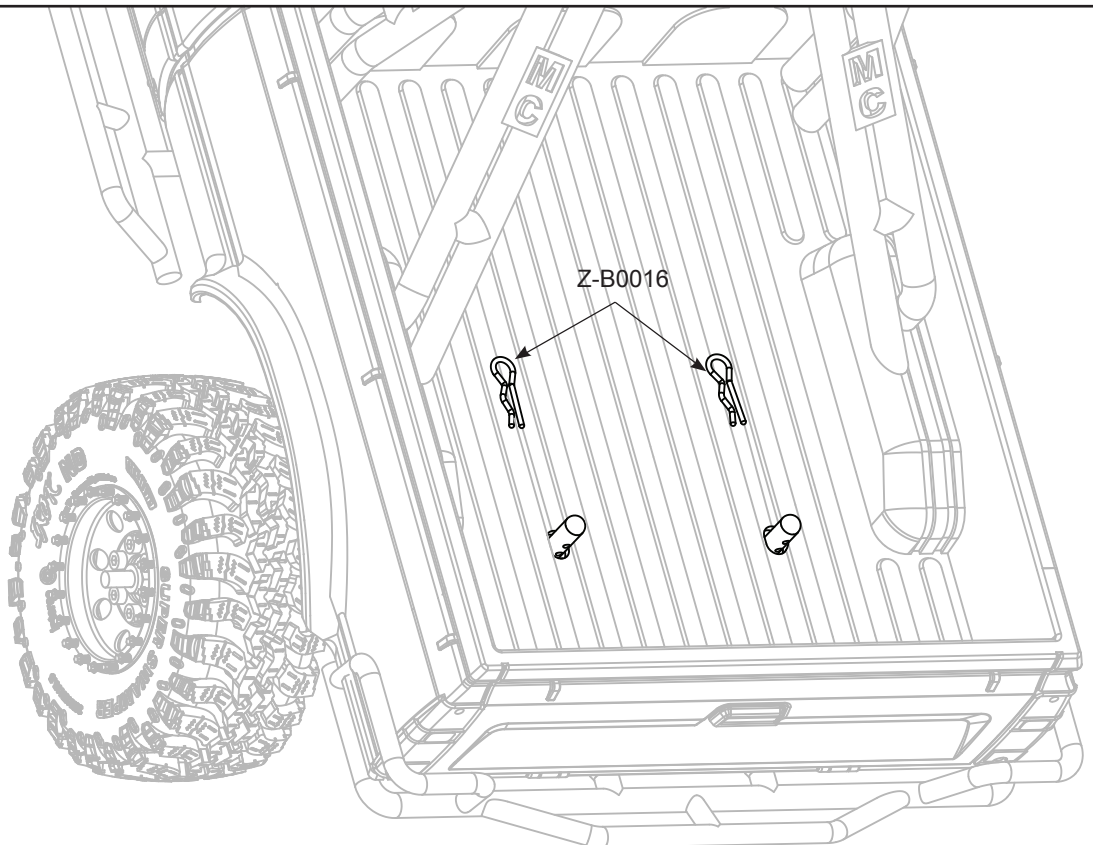
Z-S0652

M3 x 8mm BHCS



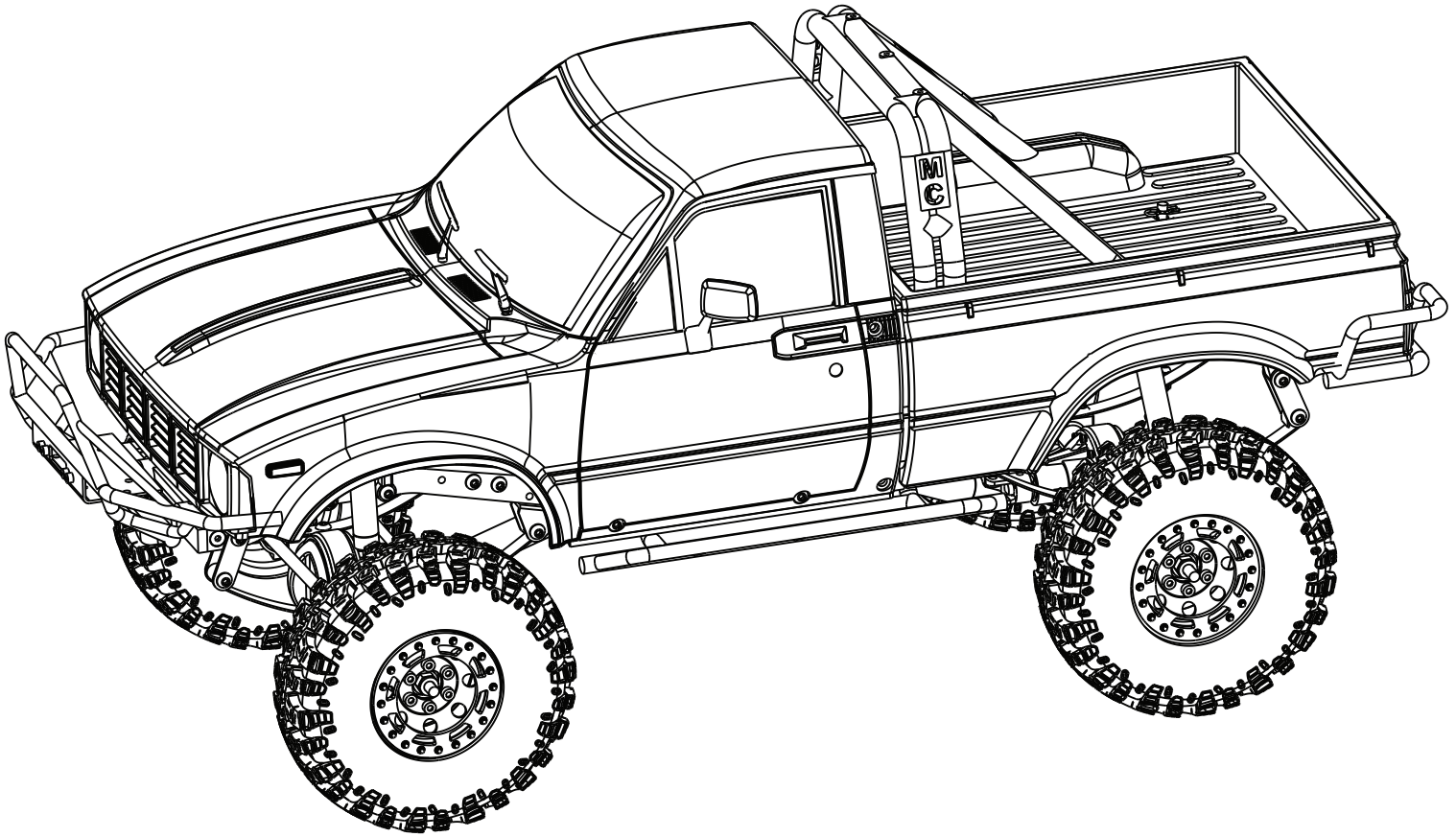
RC4WD

Step 44



TRAILFINDER 2 MARLIN CRAWLER EDITION

1/10 Trail Finder 2 RTR w/Mojave II Crawler Body Set



Drive it like you built it!



Replacement Parts

- Z-S0798 Front Shock Hoops for Gelande 2 Chassis
- Z-S0802 R3 Single Speed Transmission Mounts
- Z-S0006 Aluminum Bumper Mount For Trail Finder 2
- Z-S0898 TF2 Long Drive Shaft Coupling for R3 Single Speed
- Z-U0024 Hammer Transfer Case (1.47/1)
- Z-S1836 Drag Link for Yota II (101mm/3.98in)
- Z-U0028 R3 Scale Single Speed Transmission
- Z-S1815 Super Soft Flex Leaf Springs for TF2 (4)
- Z-S0592 Fuel Cell Radio Box
- Z-B0029 Trail Finder 2 Plastic Body Posts
- Z-A0080 Yota II Ultimate Scale Cast Axle (Front)
- Z-S0823 XVD Axle for Ultimate Scale Yota II G2 Axle
- Z-A0081 Yota II Ultimate Scale Cast Axle (Rear)
- Z-S0595 RC4WD Marlin Crawlers Rear Plastic Tube Bumper for Trail Finder 2
- Z-S0398 M3 Mini Plastic Rod End
- Z-S0401 M3 Offset Short Plastic Rod End
- Z-D0012 RC4WD Superlift Superide 80mm Scale Shock Absorbers
- Z-S0047 Leaf Spring Shackles & Mounts Kit
- Z-S0596 RC4WD Marlin Crawlers Side Plastic Sliders for Trail Finder 2
- Z-S1478 RC4WD Marlin Crawlers Roll Bar for Mojave Body
- Z-S0593 Trail Finder 2 Bumper Mounts
- Z-T0068 RC4WD Interco IROK 1.7" Scale Tires
- Z-S1789 RC4WD Marlin Crawlers Front Winch Bumper w/Stinger for Trail Finder 2
- Z-S1811 Ultra Punisher Shafts
- Z-S1777 Low Profile Delrin Transfer Case Mount for TF2
- Z-S0552 Heavy Duty Nylon Strap Lock
- Z-E0004 540 Crawler Brushed Motor 45T
- Z-E0035 Twister High Torque Metal Gear Digital Servo
- Z-E0089 Outcry II Waterproof ESC
- Z-R0009 XR3 3-Channel 2.4Ghz Transmitter/Receiver Radio
- Z-S0822 Heavy Duty Metal Servo Arm 25t Futaba
- Z-E0090 RC4WD 6-Cell 3000mAh NIMH Battery Pack
- Z-S1718 RC4WD AA Batteries
- Z-E0092 RC4WD NiMH Peak Battery Charger
- Z-B0145 RC4WD Marlin Crawler Decal Set for Mojave Body
- Z-W0225 TRO 1.7" Stamped Steel Beadlock Wheels (Red/Chrome)

Optional Parts

- Z-S1239 Trail Finder 2 V8 Engine Mounts
- Z-S1488 RC4WD Skid Plate for Trail Finder 2 V8/R4
- Z-S1486 RC4WD Rock Crawler Replacement 3/4 Link kit for Trail Finder 2
- Z-B0032 Scale Bench Seat for Mojave Body
- Z-S0190 Scale Plastic Driver Figure
- Z-S0603 4 Link Kit For Trail Finder 2 Rear Axle
- Z-S0565 3 Link Kit For Trail Finder 2 Front Axle w/Panhard Setup
- Z-S0342 XVD Axle for Ultimate Scale Yota TF2 Axle
- Z-S0196 Scale Aisin/Yota Style Hubs
- Z-S0778 RC4WD Marlin Crawlers Front Steel Tube Bumper for Trail Finder 2
- Z-S0579 Tough Armor Rear Bumper for Trail Finder 2 w/Hitch Mount
- Z-S0753 RC4WD Marlin Crawlers Side Metal Sliders for Trail Finder 2
- Z-S0767 RC4WD Marlin Crawlers Rear Tube Bumper for Trail Finder 2
- Z-S0209 Scale Steel Punisher Shaft (100mm - 130mm / 3.94" - 5.12") 5mm
- Z-E0016 LED Basic Lighting System For Mojave Body Set
- Z-S0682 Mojave Body Lift Kit for Trail Finder 2
- Z-A0048 K44 Ultimate Scale Front Axle
- Z-A0049 K44 Ultimate Scale Rear Axle
- Z-D0012 RC4WD Superlift Superide 80mm Scale Shock Absorbers
- Z-D0036 RC4WD 80mm Old Man Emu Nitrocharger Sport Shock by ARB
- Z-D0005 The Ultimate Scale Shocks 80mm (Silver)
- Z-D0015 RC4WD Superlift Superide 90mm Scale Shock Absorbers
- Z-D0038 RC4WD 90mm Old Man Emu Nitrocharger Sport Shocks by ARB
- Z-T0058 RC4WD Mickey Thompson 1.55" Baja MTZ P3 Scale Tires
- Z-T0064 RC4WD Mickey Thompson 1.55" Baja Claw TTC Scale Tires
- Z-T0056 RC4WD Interco IROK 1.55" Scale Tires
- Z-S1377 Front Hood and Window Deflector Set for Mojave and Hilux Bodies
- Z-S1373 RC4WD Marlin Crawlers Rear Steel Tube Bumper for Trail Finder 2
- Z-S0768 Single Rear Shock Mount for Trail Finder 2
- Z-S1615 RC4WD N-Fab N-Durastep for Trail Finder 2
- Z-S1561 RC4WD Warn Rock Crawler Rear Bumper for Trail Finder 2
- Z-S1690 2 Speed Transmission Conversion Kit for Trail Finder 2
- Z-S1571 RC4WD 1/10 Mini Warn 9.5cti Winch
- Z-E0075 RC4WD 1/10 Warn 8274 Winch
- Z-S1079 RC4WD 1/10 Warn 9.5cti Winch
- Z-E0069 RC4WD 1/8 Warn Zeon 10 Winch
- Z-R0006 XR4 4-Channel 2.4Ghz Transmitter/Receiver Radio
- Z-E0063 Twister Ultimate High Performance Waterproof Servo
- Z-E0007 Outcry Crawler Speed Controller ESC with TurboBEC
- Z-W0250 T-Runner Classic 1.9" Beadlock Wheels
- Z-W0251 Gold Mesh 1.9" Beadlock Wheels
- VVV-C0295 Roll Bar/Roof Rack w/Lightbar Frame for TF2 Mojave Body
- VVV-C0296 Roll Bar/Roof Rack w/Lightbar Frame and Front IPF Lights for TF2 Mojave Body



- VVV-C0400 Steering Guard for Trifecta Front Bumper
- VVV-C0424 Malice Mini Roof Rack for Mojave II Body Set
- VVV-C0425 Malice Mini Roof Rack w/Lights for Mojave II Body Set
- VVV-C0290 Metal Rear Emblem for TF2 Mojave Body (White)
- VVV-C0291 Metal Vintage Rear Emblem for TF2 Mojave Body (White)
- VVV-C0292 Metal Rear Emblem for TF2 Mojave Body (Black)
- VVV-C0293 Metal Vintage Rear Emblem for TF2 Mojave Body (Black)
- VVV-C0208 Steel Rear Bumper for RC4WD Trail Finder 2 (Style A)
- VVV-C0212 Steel Rear Bumper for RC4WD Trail Finder 2 (Style B)
- VVV-C0211 Rough Stuff Metal Front Bumper for RC4WD Trail Finder 2 (Hella Round Lights)
- VVV-C0206 Rough Stuff Metal Front Bumper for RC4WD Trail Finder 2 (Standard)
- VVV-C0209 Rough Stuff Metal Front Bumper for RC4WD Trail Finder 2 (Hella and IPF Round Lights)
- VVV-C0213 Rough Stuff Metal Front Bumper for RC4WD Trail Finder 2 (Double Hella Round Lights)
- VVV-C0215 Rough Stuff Limited Edition Red Metal Front Bumper for RC4WD Trail Finder 2
(Hella Round and IPF Square Lights)
- VVV-C0219 Rough Stuff Metal Front Bumper for RC4WD Trail Finder 2 (Hella Round and IPF
Square Lights)



www.rc4wd.com



RC4WD

618 Blossom Hill Rd. Ste. 201

San Jose, CA 95123

Web: www.rc4wd.com - Email: support@rc4wd.com

100-0023